

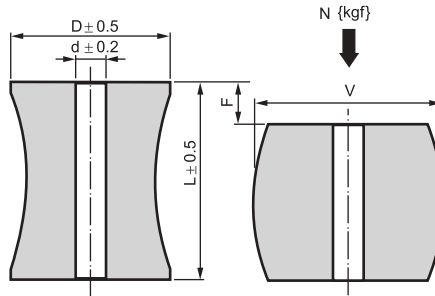
Section I
URETHANE SPRINGS
& PADS



Urethanes for Heavy Load



AUHLH
(With hole)



Shore A90 - Color Yellow

F=LX 20%		F=LX 25%		F=LX 30%		V	D	d	L	Catalog No.
F mm	Load N {kgf}	F mm	Load N {kgf}	F mm	Load N {kgf}					
12	6865	15	8924	18	12749	58	50	14	62	AUHLH 5062
16	{700}	20	{910}	24	{1300}				82	AUHLH 5082
12	9807	15	13239	18	18633	70	60	20	62	AUHLH 6062
16	{1000}	20	{1350}	24	{1900}				82	AUHLH 6082
16	19123	20	26478	24	39227	92	80	20	82	AUHLH 8082
20	{1950}	25	{2700}	30	{4000}				103	AUHLH 80103
16	27949 {2850}	20	38736 {3950}	24	54427 {5550}	114	100	20	82	AUHLH 10082
20		103		AUHLH 100103						
24		123		AUHLH 100123						

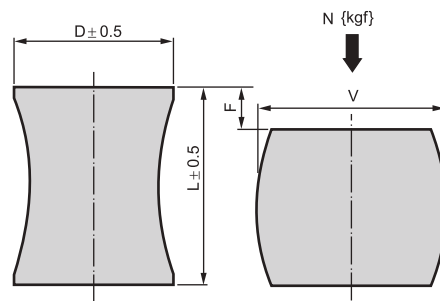
• kgf = N X 0.101972



ORDERING CODE **CATALOG NO.**
AUHLH 80103



AUHLS
(Solid)



Shore A90 - Color Yellow

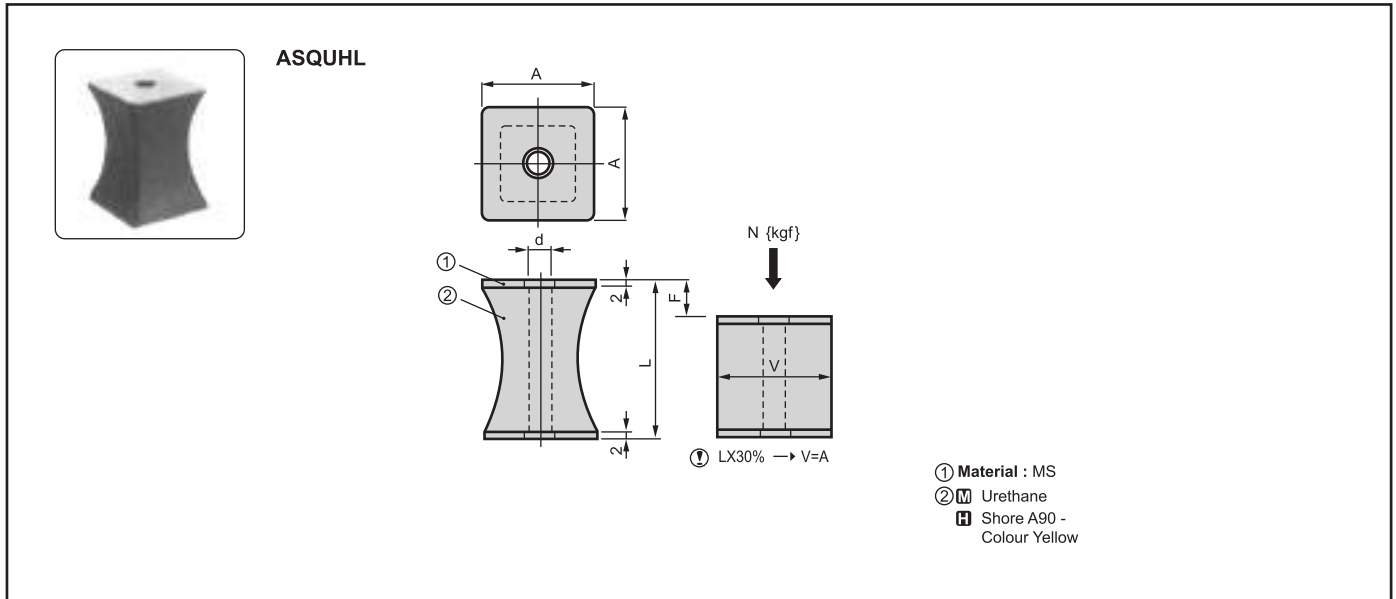
F=LX 20%		F=LX 25%		F=LX 30%		V	D	L	Catalog No.
F mm	Load N {kgf}	F mm	Load N {kgf}	F mm	Load N {kgf}				
12	7551	15	9807	18	14710	58	50	62	AUHLS 5062
16	{770}	20	{1000}	24	{1500}			82	AUHLS 5082
12	11082	15	15004	18	21575	70	60	62	AUHLS 6062
16	{1130}	20	{1530}	24	{2200}			82	AUHLS 6082
16	20104	20	27753	24	41188	92	80	82	AUHLS 8082
20	{2050}	25	{2830}	30	{4200}			103	AUHLS 80103
16	29420 {3000}	20	41188 {4200}	24	61292 {6250}	114	100	82	AUHLS 10082
20		103		AUHLS 100103					
24		123		AUHLS 100123					

• kgf = N X 0.101972



ORDERING CODE **CATALOG NO.**
AUHLS 80103

Square Urethanes For Heavy Load



F=LX 20%		F=LX 25%		F=LX 30%		d	Catalog No.			
F mm	Load N (kgf)	F mm	Load N (kgf)	F mm	Load N (kgf)		Type	A - L		
12	9800	15	13230	18	18630	14	ASQUHL	60	62	
16	{1000}	20	{1350}	24	{1900}				82	
12	13720 {1400}	15	18630 {1900}	18	25490 {2600}			20	70	62
16		20		24		82				
18		23		27		92				
16	25490 {2600}	20	35300 {3600}	24	49030 {5000}	20		ASQUHL	95	82
20		25		30						103
24		30		36					123	
20	39220 {4000}	25	53930 {5500}	30	73550 {7500}	20			ASQUHL	120
24		30		36			123			
28		35		42			143			

• kgf = N X 0.101972



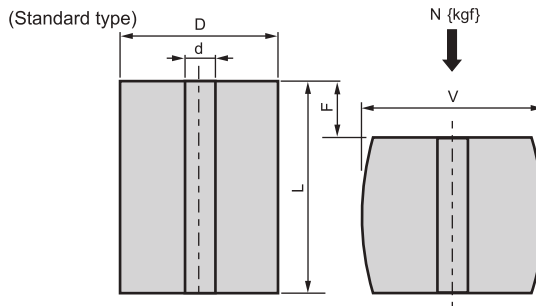
ORDERING
CODE

CATALOG NO.
ASQUHL 95 - 103

Urethanes For Heavy Load



AUHLCYL



D	D _T	d _T	L _T
15			
20			
25	±0.5	±0.5	±0.5
30			
40			
50	±0.8	±0.5	±1.0
60			
80	±1.0	±0.5	±1.0
100			

Shore A90 - Colour Yellow

F=LX 15%		F=LX 20%		F=LX 25%		V	d	Catalog No.	
F mm	Load N (kgf)	F mm	Load N (kgf)	F mm	Load N (kgf)			Type	D
3.8	588 { 60}	5	785 { 80}	6.3	981 { 100}	18	7	AUHLCYL 15	25
4.5		6		30					
5.3		7		35					
6		8		40					
3.8	1128 { 115}	5	1422 { 145}	6.3	1765 { 180}	24	8.5	AUHLCYL 20	25
4.5		6		30					
5.3		7		35					
6		8		40					
3.8	1667 { 170}	5	2157 { 220}	6.3	2648 { 270}	30	11	AUHLCYL 25	25
4.5		6		30					
5.3		7		35					
6		8		40					
6.8		9		45					
7.5		10		50					
3.8	2599 { 265}	5	3040 { 310}	6.3	3531 { 360}	37	14	AUHLCYL 30	25
4.5		6		30					
5.3		7		35					
6		8		40					
6.8		9		45					
7.5		10		50					
8.3		11		55					
9		12		60					
6	4560 { 465}	8	5394 { 550}	10	6276 { 640}	48	14	AUHLCYL 40	40
7.5		10		50					
9		12		60					
7.5	7747 { 790}	10	9218 { 940}	12.5	10787 {1100}	60	14	AUHLCYL 50	50
9		12		60					
12		16		60					
7.5	13042 {1330}	10	15102 {1540}	12.5	17652 {1800}	72	14	AUHLCYL 60	50
9		12		60					
12		16		60					
9	21378 {2180}	12	25390 {2590}	15	29420 {3000}	95	22	AUHLCYL 80	60
12		16		80					
15		20		100					
12	35990 {3670}	16	42659 {4350}	20	49720 {3070}	119	22	AUHLCYL 100	60
15		20		100					
18		24		120					

• kgf = N X 0.101972



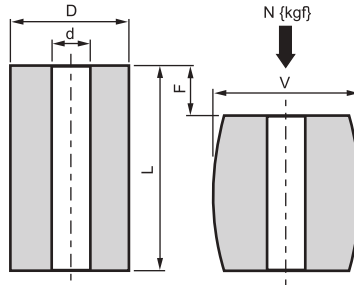
ORDERING CODE

CATALOG NO.	D	L
AUHLCYL	60	80

Urethane Stock Blocks



AUSB



D	D \pm	d \pm	L \pm
40	± 0.5	± 0.2	± 0.3
50	± 0.5	± 0.5	± 0.5
70	± 0.5	± 0.5	± 0.5
90	± 1.0	± 0.5	± 0.5
100	± 1.0	± 0.5	± 0.5
110	± 1.0	± 0.5	± 0.5

Shore A90 - Color Yellow

F=LX 15%		F=LX 20%		F=LX 25%		V	D	d	L	Catalog No.							
F mm	Load N {kgf}	F mm	Load N {kgf}	F mm	Load N {kgf}					Type	D - L						
12	4560 { 465}	16	5394 {560}	20	6276 { 640}	47	40		80	AUSB	40 - 80						
16.5	7747 { 790}	22	9218 {540}	27.5	10787 {1100}	59	50		110		50 - 110						
16.5	18633 {1900}	22	22555 {2300}	27.5	24517 {2500}	81	70	14	110		70 - 110						
21		28		35					70		140	70 - 140					
25.5	27459 {2800}	34	33342 {3400}	42.5	40207 {4100}	105	90	22	170		70 - 170						
21		28		35					90		140	90 - 140					
25.5		34		42.5					90		170	90 - 170					
30		40		50					90		200	90 - 200					
21	35990 {3670}	28	42659 {4350}	35	49720 {5070}	117	100		140		100 - 200						
21	39226 {4000}	28	47072 {4800}	35	56878 {5800}	129	110		140		110 - 140						
25.5		34		42.5					110		170	110 - 170					
30		40		50					110		200	110 - 200					
37.5		50		62.5												250	110 - 250


• kgf = N X 0.101972




ORDERING CODE

CATALOG NO.	D	L
AUSB	90	140

Urethanes For Heavy Load

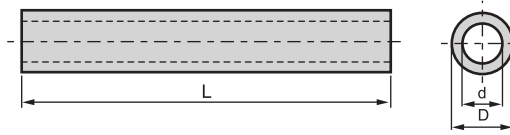


AUHLLH
(with hole)

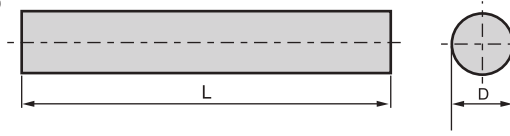


AUHLLS
(solid)


AUHLLH
(with hole)



AUHLLS
(solid)



D	D \pm	d \pm
20	± 0.2	
25		
30		
40		± 0.2
50	± 0.5	
60		
80		± 0.8
100		

 Shore A90 - Colour Yellow

d	Catalog No.		Catalog No.	
	Type	D — L	Type	D — L
8.5	AUHLLH	20—200	AUHLLS	20—200
11	AUHLLH	25—200	AUHLLS	25—200
14	AUHLLH	30—500	AUHLLS	30—500
	AUHLLH	40—500	AUHLLS	40—500
	AUHLLH	50—500	AUHLLS	50—500
	AUHLLH	60—500	AUHLLS	60—500
22	AUHLLH	80—500	AUHLLS	80—500
	AUHLLH	100—500	AUHLLS	100—500



ORDERING
CODE

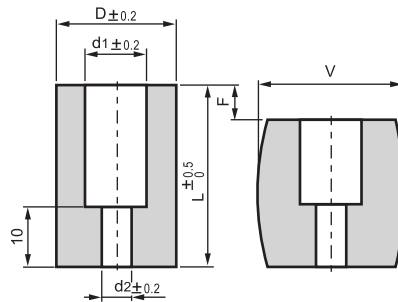
CATALOG NO.

AUHLLH 80 - 500

Urethanes With Counterbore Hole



AUCBHZ (Standard type)



Shore A90 - Colour Yellow

F=LX10%		F=LX15%		F=LX20%		V	D	d1	d2	M	L	Catalog No.	
F mm	Load N(kgf)	F mm	Load N(kgf)	F mm	Load N(kgf)							Type D-L	
2.5		3.7		5.0		24	20	11	7	M6		25	AUCBHZ 20 — 25
3.0	883	4.5	1079	6.0	1275							30	30
3.5	{ 90 }	5.2	{110}	7.0	{110}							35	35
4.0		6.0		8.0								40	40
2.5		3.7		5.0		29	25	11	7	M6		25	AUCBHZ 25 — 25
3.0	1177	4.5	1569	6.0	1765							30	30
3.5	{120}	5.2	{160}	7.0	{180}							35	35
4.0		6.0		8.0								40	40
3.0	2550	4.5	3040	6.0	3530	35	30	14	9	M8		30	AUCBHZ 30 — 30
3.5	{260}	5.2	{310}	7.0	{360}							35	35
4.0		6.0		8.0								40	40
3.0	4119	4.5	5099	6.0	5884	46	40	18	11	M10		30	AUCBHZ 40 — 30
3.5	{420}	5.2	{520}	7.0	{600}							35	35
4.0		6.0		8.0								40	40

• kgf = N X 0.101972



ORDERING CODE

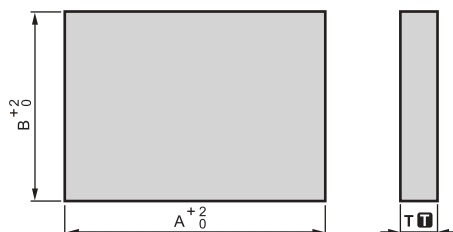
CATALOG NO.

AUCBHZ 20 - 30

Urethane Sheets



AUSHT



T	δ
1 ~ 4	± 0.3
5 ~ 10	± 0.4
15 ~ 25	± 0.5
30 ~ 50	± 1

Shore A90 - Colour Yellow

Catalog No.		1mm increments	
Type	T	A	B
AUSHT	1	20 ~ 500	20 ~ 500
	2		
	3		
	4		
	5		
	6		
	8		

Catalog No.		1mm increments	
Type	T	A	B
AUSHT	10	20 ~ 500	20 ~ 500
	15		
	20		
	25		
	30		
	40		
	50		



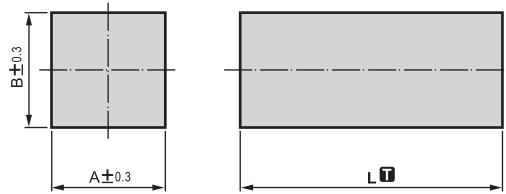
ORDERING
CODE

CATALOG NO.	A	B
AUSHT 6	150	200

Urethane Die Pads



AUDP



Shore A90 - Colour Yellow

A	B	L	t	Catalog No.	
				Type	A — L
25	25	50	± 1	AUDP	25 — 50
		100			100
		300	+ 5 0		300
		500			500
50	50	50	± 1	AUDP	50 — 50
		100			100
		300	+ 5 0		300
		500			500
75	50	50	± 1	AUDP	75 — 50
		100			100
		300	+ 5 0		300
		500			500



ORDERING
CODE

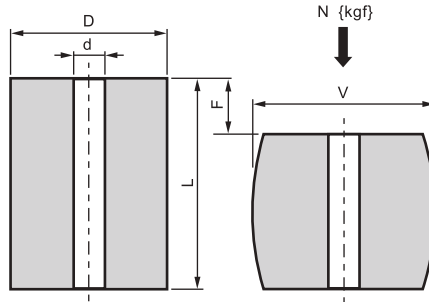
CATALOG NO.

AUDP 50 - 500

Economy Urethanes



AEU (Standard type)



D	D ₁	d ₁	L ₁
15	±0.2	±0.2	±0.3
20			
25			
30			
40	±0.3		±0.5
50			
60			

Shore A90 - Colour Yellow

F=LX15%		F=LX20%		F=LX25%			d	Catalog No.		
F mm	Load N{kgf}	F mm	Load N{kgf}	F mm	Load N{kgf}	V		Type	D	L
3.8	1079	5	1373	6.3	1667	24	8.5	AEU	20	25
4.5		6		7.5						30
5.3		7		8.8						35
6		8		10						40
3.8	1569	5	2059	6.3	2550	30	11	AEU	25	25
4.5		6		7.5						30
5.3		7		8.8						35
6		8		10						40
6.8		9		11.3						45
7.5		10		12.5						50
4.5	2452	6	2844	7.5	3334	37	14	AEU	30	30
5.3		7		8.8						35
6		8		10						40
6.8		9		11.3						45
7.5		10		12.5						50
8.3		11		13.8						55
9		12		15						60
6		4315		8						5099
7.5	10		12.5	50						
9	12		15	60						
7.5	7355	10	8728	12.5	10297	60	14	AEU	50	50
9		12		15						60
12		16		20						80
7.5	12356	10	14318	12.5	16769	72	14	AEU	60	50
9		12		15						60
12		16		20						80

• kgf = N X 0.101972



ORDERING CODE

CATALOG NO.	D	L
AEU	50	50