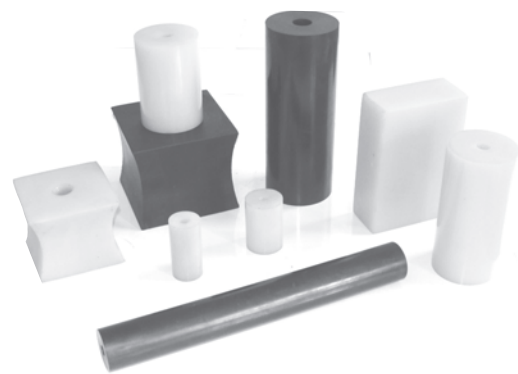
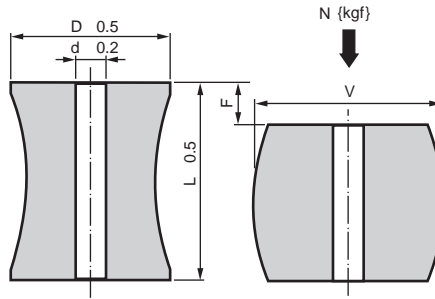


Section I
URETHANE SPRINGS
& PADS



Urethanes for Heavy Load

AUHLH (With hole)



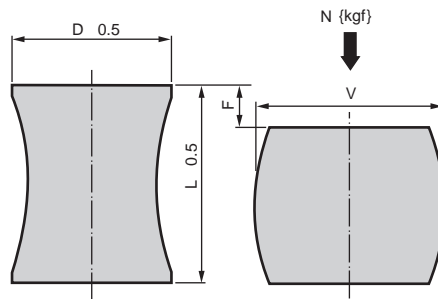
Shore A90 - Color Yellow

F=LX 20%		F=LX 25%		F=LX 30%		V	D	d	L	Catalog No.
F mm	Load N (kgf)	F mm	Load N (kgf)	F mm	Load N (kgf)					
12	6865	15	8924	18	12749	58	50	14	62	AUHLH 5062
16	{700}	20	{910}	24	{1300}				82	AUHLH 5082
12	9807	15	13239	18	18633	70	60	20	62	AUHLH 6062
16	{1000}	20	{1350}	24	{1900}				82	AUHLH 6082
16	19123	20	26478	24	39227	92	80	20	82	AUHLH 8082
20	{1950}	25	{2700}	30	{4000}				103	AUHLH 80103
16	27949 {2850}	20	38736 {3950}	24	54427 {5550}	114	100	20	82	AUHLH 10082
20		25		30					103	AUHLH 100103
24	30	36						123	AUHLH 100123	

• kgf = N X 0.101972

ORDERING CODE	CATALOG NO.
	AUHLH 80103

AUHLS (Solid)



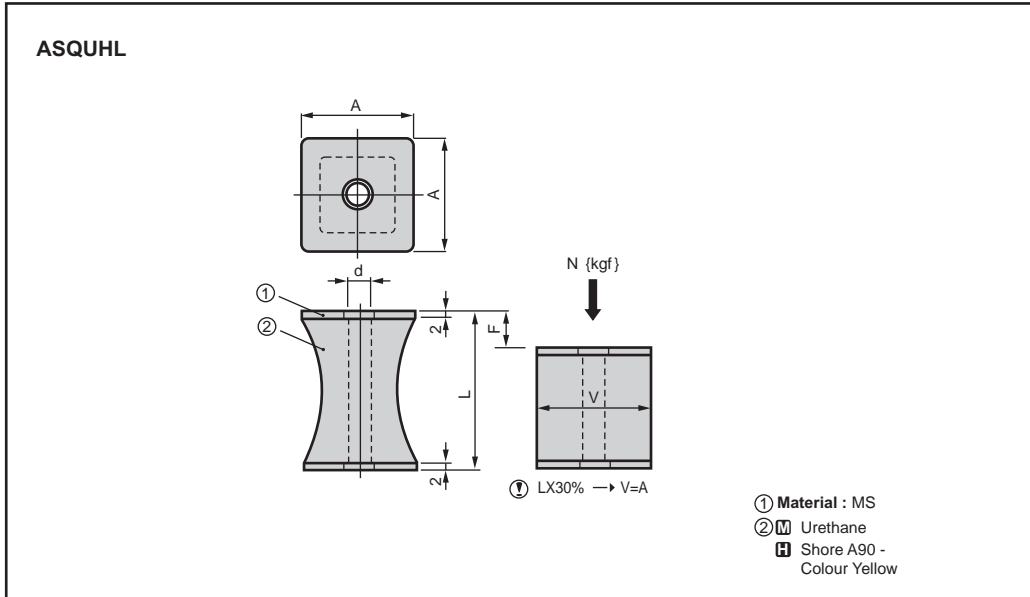
Shore A90 - Color Yellow

F=LX 20%		F=LX 25%		F=LX 30%		V	D	L	Catalog No.
F mm	Load N (kgf)	F mm	Load N (kgf)	F mm	Load N (kgf)				
12	7551	15	9807	18	14710	58	50	62	AUHLS 5062
16	{770}	20	{1000}	24	{1500}			82	AUHLS 5082
12	11082	15	15004	18	21575	70	60	62	AUHLS 6062
16	{1130}	20	{1530}	24	{2200}			82	AUHLS 6082
16	20104	20	27753	24	41188	92	80	82	AUHLS 8082
20	{2050}	25	{2830}	30	{4200}			103	AUHLS 80103
16	29420 {3000}	20	41188 {4200}	24	61292 {6250}	114	100	82	AUHLS 10082
20		25		30				103	AUHLS 100103
24	30	36						123	AUHLS 100123

• kgf = N X 0.101972

ORDERING CODE	CATALOG NO.
	AUHLS 80103

Square Urethanes For Heavy Load



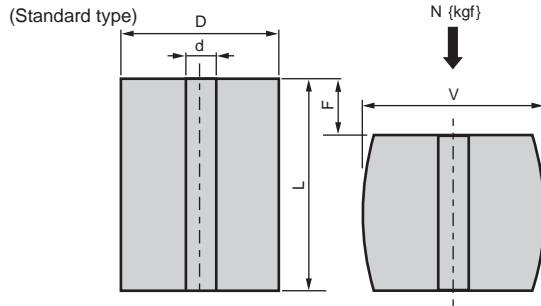
F=LX 20%		F=LX 25%		F=LX 30%		d	Catalog No.			
F mm	Load N (kgf)	F mm	Load N (kgf)	F mm	Load N (kgf)		Type	A - L		
12	9800	15	13230	18	18630	14	ASQUHL	60	62	
16	{1000}	20	{1350}	24	{1900}				82	
12	13720 {1400}	15	18630 {1900}	18	25490 {2600}			20	70	62
16		20		24		82				
18		23		27		92				
16	25490 {2600}	20	35300 {3600}	24	49030 {5000}	20		ASQUHL	95	82
20		25		30						103
24		30		36					123	
20	39220 {4000}	25	53930 {5500}	30	73550 {7500}	20		ASQUHL	120	103
24		30		36			123			
28		35		42			143			

• kgf = N X 0.101972

ORDERING CODE CATLOG NO.
 ASQUHL 95 - 103

Urethanes For Heavy Load

AUHLCYL



D	D _T	d _T	L _T
15			
20			
25	±0.5	±0.5	±0.5
30			
40			
50	±0.8	±0.5	±1.0
60			
80	±1.0	±0.5	±1.0
100			

Shore A90 - Colour Yellow

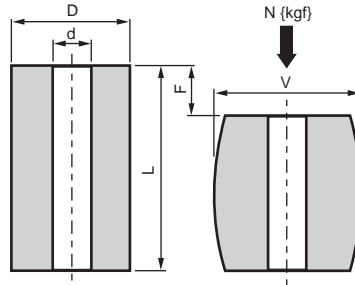
F=LX 15%		F=LX 20%		F=LX 25%		d	Catalog No.		
F mm	Load N (kgf)	F mm	Load N (kgf)	F mm	Load N (kgf)		V	Type	D — L
3.8	588 { 60}	5	785 { 80}	6.3	981 { 100}	18	7	AUHLCYL 15	25
4.5		6		7.5					30
5.3		7		8.8					35
6		8		10					40
3.8	1128 { 115}	5	1422 { 145}	6.3	1765 { 180}	24	8.5	AUHLCYL 20	25
4.5		6		7.5					30
5.3		7		8.8					35
6		8		10					40
3.8	1667 { 170}	5	2157 { 220}	6.3	2648 { 270}	30	11	AUHLCYL 25	25
4.5		6		7.5					30
5.3		7		8.8					35
6		8		10					40
6.8		9		11.3					45
7.5	10	12.5	50						
3.8	2599 { 265}	5	3040 { 310}	6.3	3531 { 360}	37	14	AUHLCYL 30	25
4.5		6		7.5					30
5.3		7		8.8					35
6		8		10					40
6.8		9		11.3					45
7.5		10		12.5					50
8.3		11		13.8					55
9	12	15	60						
6	4560 { 465}	8	5394 { 550}	10	6276 { 640}	48	14	AUHLCYL 40	40
7.5		10		12.5					50
9		12		15					60
7.5	7747 { 790}	10	9218 { 940}	12.5	10787 { 1100}	60	14	AUHLCYL 50	50
9		12		15					60
12		16		20					60
7.5	13042 { 1330}	10	15102 { 1540}	12.5	17652 { 1800}	72	14	AUHLCYL 60	50
9		12		15					60
12		16		20					60
9	21378 { 2180}	12	25390 { 2590}	15	29420 { 3000}	95	22	AUHLCYL 80	60
12		16		20					80
15		20		25					100
12	35990 { 3670}	16	42659 { 4350}	20	49720 { 3070}	119	22	AUHLCYL 100	60
15		20		25					100
18		24		30					120

• kgf = N X 0.101972

ORDERING CODE	CATALOG NO.	D	L
	AUHLCYL	60	80

Urethane Stock Blocks

AUSB



D	D T	d T	L T
40	±0.5	±0.2	±0.3
50	±0.5	±0.5	±0.5
70			
90			
100	±1.0	±0.5	±0.5
110			

Shore A90 - Color Yellow

F=LX 15%		F=LX 20%		F=LX 25%		V	D	d	L	Catalog No.	
F mm	Load N (kgf)	F mm	Load N (kgf)	F mm	Load N (kgf)					Type	D - L
12	4560 { 465}	16	5394 {560}	20	6276 { 640}	47	40		80	AUSB	40 - 80
16.5	7747 { 790}	22	9218 {540}	27.5	10787 {1100}	59	50		110		50 - 110
16.5	18633 {1900}	22	22555 {2300}	27.5	24517 {2500}	81	70	14	110		70 - 110
21		28		35			70	140	70 - 140		
25.5	27459 {2800}	34	33342 {3400}	42.5	40207 {4100}	105	70	170	170		70 - 170
21		28		35			90	140	90 - 140		
25.5		34		42.5			90	170	90 - 170		
30	35990 {3670}	40	42659 {4350}	50	49720 {5070}	117	90	22	200		90 - 200
21		28		35			100	140	100 - 200		
25.5	39226 {4000}	34	47072 {4800}	42.5	56878 {5800}	129	110	140	140		110 - 140
21		28		35			110	170	110 - 170		
30		40		50			110	200	110 - 200		
37.5	40000	50	48000	62.5	58000	129	110	250	250		110 - 250
21		28		35			110	170	110 - 170		

• kgf = N X 0.101972

ORDERING CODE	CATALOG NO.	D	L
	AUSB	90	140

Urethanes For Heavy Load

AUHLLH
(with hole)
AUHLLS
(solid)

D	D \pm	d \pm
20	± 0.2	± 0.2
25		
30		
40		
50	± 0.5	± 0.8
60		
80		
100	± 0.8	

AUHLLH
(with hole)

AUHLLS
(solid)

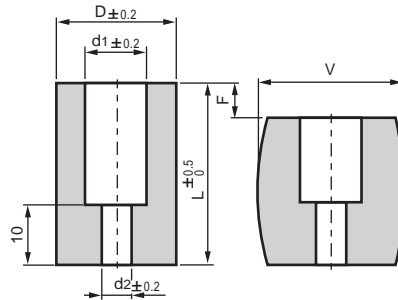
Shore A90 - Colour Yellow

d	Catalog No.		Catalog No.	
	Type	D - L	Type	D - L
8.5	AUHLLH	20 - 200	AUHLLS	20 - 200
11	AUHLLH	25 - 200	AUHLLS	25 - 200
14	AUHLLH	30 - 500	AUHLLS	30 - 500
	AUHLLH	40 - 500	AUHLLS	40 - 500
	AUHLLH	50 - 500	AUHLLS	50 - 500
	AUHLLH	60 - 500	AUHLLS	60 - 500
22	AUHLLH	80 - 500	AUHLLS	80 - 500
	AUHLLH	100 - 500	AUHLLS	100 - 500

ORDERING CODE	CATALOG NO.
	AUHLLH 80 - 500

Urethanes With Counterbore Hole

AUCBHZ (Standard type)



Shore A90 - Colour Yellow

F=L X 10%		F=L X 15%		F=L X 20%		D	d1	d2	M	L	Catalog No.	
F mm	Load N(kgf)	F mm	Load N(kgf)	F mm	Load N(kgf)						V	Type D-L
2.5	883	3.7	1079	5.0	1275	24	20	11	7	M6	25	AUCBHZ 20 — 25
3.0		6.0		30							30	
3.5		7.0		35							35	
4.0		8.0		40							40	
2.5	1177	3.7	1569	5.0	1765	29	25	11	7	M6	25	AUCBHZ 25 — 25
3.0		6.0		30							30	
3.5		7.0		35							35	
4.0		8.0		40							40	
3.0	2550	4.5	3040	6.0	3530	35	30	14	9	M8	30	AUCBHZ 30 — 30
3.5		7.0		35							35	
4.0		8.0		40							40	
4.0		8.0		40							40	
3.0	4119	4.5	5099	6.0	5884	46	40	18	11	M10	30	AUCBHZ 40 — 30
3.5		7.0		35							35	
4.0		8.0		40							40	
4.0		8.0		40							40	

• kgf = N X 0.101972

ORDERING CODE	CATALOG NO.
	AUCBHZ 20 - 30

Urethane Sheets

AUSHT

T	δ
1 ~ 4	± 0.3
5 ~ 10	± 0.4
15 ~ 25	± 0.5
30 ~ 50	± 1

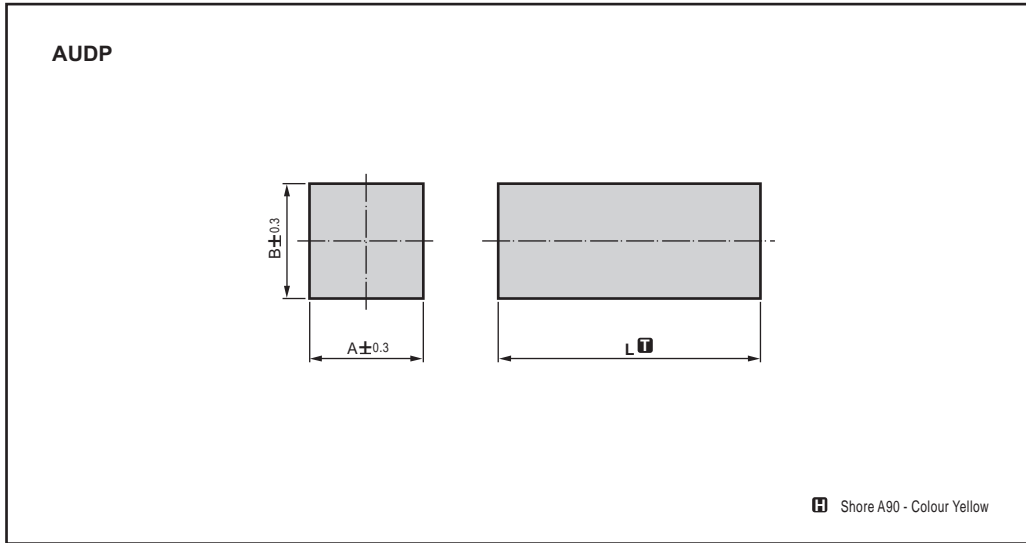
δ Shore A90 - Colour Yellow

Catalog No.		1mm increments	
Type	T	A	B
AUSHT	1	20 ~ 500	20 ~ 500
	2		
	3		
	4		
	5		
	6		
	8		

Catalog No.		1mm increments	
Type	T	A	B
AUSHT	10	20 ~ 500	20 ~ 500
	15		
	20		
	25		
	30		
	40		
	50		

ORDERING CODE	CATALOG NO.	A	B
	AUSHT 6	150	200

Urethane Die Pads



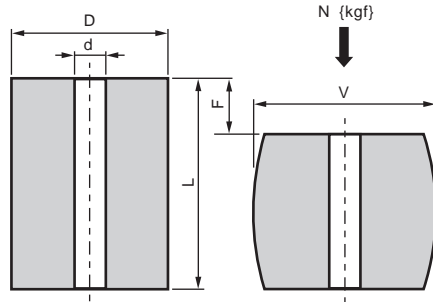
A	B	L	T	Catalog No.	
				Type	A — L
25	25	50	± 1	AUDP	25 — 50
		100			100
		300	+ 5 0		300
		500			500
50	50	50	± 1	AUDP	50 — 50
		100			100
		300	+ 5 0		300
		500			500
75	50	50	± 1	AUDP	75 — 50
		100			100
		300	+ 5 0		300
		500			500

ORDERING
CODE

CATALOG NO.
AUDP 50 - 500

Economy Urethanes

AEU (Standard type)



D	D ₁	d	L
15			
20			
25	±0.2		±0.3
30		±0.2	
40			
50	±0.3		±0.5
60			

Shore A90 - Colour Yellow

F=LX15%		F=LX20%		F=LX25%			d	Catalog No.		
F mm	Load N(kgf)	F mm	Load N(kgf)	F mm	Load N(kgf)	V		Type	D	L
3.8	1079 { 110}	5	1373 { 140}	6.3	1667 { 170}	24	8.5	AEU 20	25	
4.5		6		7.5					30	
5.3		7		8.8					35	
6		8		10					40	
3.8	1569 { 160}	5	2059 { 210}	6.3	2550 { 260}	30	11	AEU 20	25	
4.5		6		7.5					30	
5.3		7		8.8					35	
6		8		10					40	
6.8		9		11.3					45	
7.5	10	12.5	50							
4.5	2452 { 250}	6	2844 { 290}	7.5	3334 { 340}	37	14	AEU 30	30	
5.3		7		8.8					35	
6		8		10					40	
6.8		9		11.3					45	
7.5		10		12.5					50	
8.3		11		13.8					55	
9	12	15	60							
6	4315 { 440}	8	5099 { 520}	10	5982 { 610}	48	14	AEU 40	40	
7.5		10		12.5					50	
9		12		15					60	
7.5	7355 { 750}	10	8728 { 890}	12.5	10297 { 1050}	60	14	AEU 50	50	
9		12		15					60	
12		16		20					80	
7.5	12356 { 260}	10	14318 { 1460}	12.5	16769 { 1710}	72	14	AEU 60	50	
9		12		15					60	
12		16		20					80	

• kgf = N X 0.101972

ORDERING CODE	CATALOG NO.	D	L
	AEU	50	50