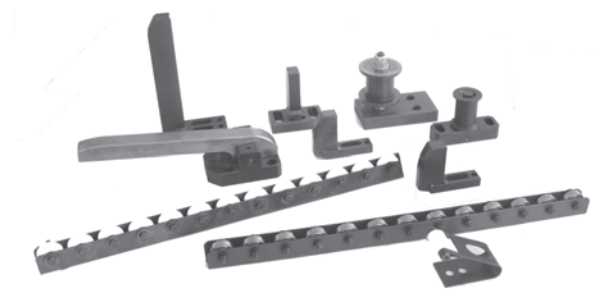
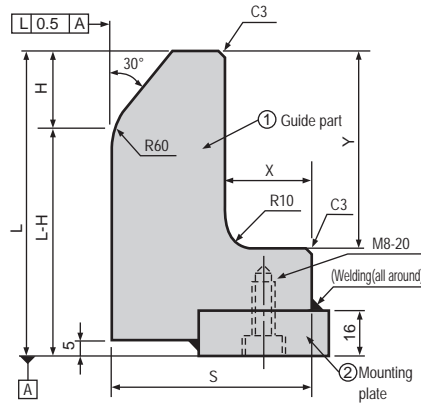


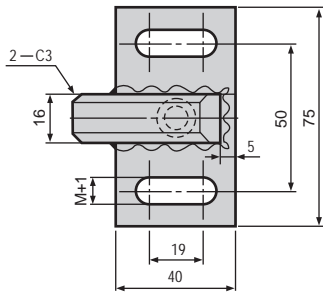
Section H
NEST GUIDES



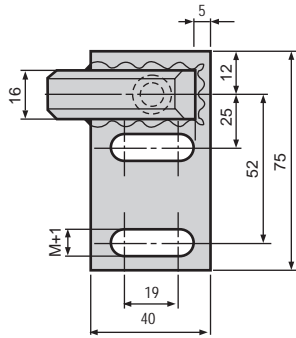
Nest Guides (Upper Part Relief Type)



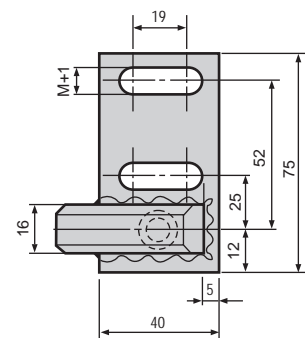
ANGC



ANGR



ANGL



① (L-Y) ≧ 40

② (S-X) ≧ 30

■ Mounting bolt and other accessories

M	A
M10	Allen Bolt 10 - 35 (2pcs) Spring washer for M10 (2pcs)
M12	Allen Bolt 12 - 35 (2pcs) Spring washer for M12 (2pcs)

Material : ① EN-8 ② M.S.

Catalog No.	5mm increments					Mounting bolt hole M
	L	H	S	X	Y	
ANGC	75 ~ 100	20 ~ 40	50 ~ 100	20 ~ 70	35 ~ 60	M10
ANGR	105 ~ 150				65 ~ 110	
ANGL	155 ~ 200				115 ~ 160	

① H is dimension before machining R60.

② The guide part① and the mounting plate② are to be fixed by welding and bolting.

ORDERING CODE	CATALOG NO.	L	H	S	X	Y	M
	ANGC	100	20	S80	X30	Y40	M10

Nest Guides - Reinforced Type/ Economy Type

- Reinforced type -

- Economy type -

ANGRTC ANGETC

ANGRTR ANGETR

ANGRTL ANGETL

■ Mounting and other accessories

M	Allen Bolt
M10	M10-35 (2pcs.) Spring washer for M10 (2pcs)
M12	M12-35 (2pcs.) Spring washer for M12 (2pcs)

① H is dimension before machining R60

■ Reinforced type

Catalog No.	L		H	Mounting bolt hole M
	5mm increments			
ANGRTC ANGRTR ANGRTL	65 ~ 100		20 ~ 40	M10 M12
	105 ~ 150			
	155 ~ 200			
	205 ~ 250			
	255 ~ 300			
305 ~ 350				

① The guide part ① and the mounting plate ② are to be fixed by welding and bolting.

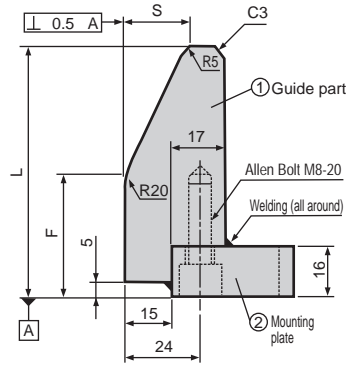
■ Economy type

Catalog No.	L		H	Mounting bolt hole M
	5mm increments			
ANGETC ANGETR ANGETL	65~100		20~40	M10 M12
	105~150			
	155~200			

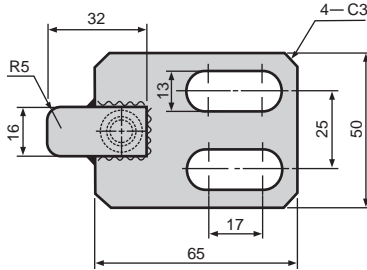
① The guide part ① and the mounting plate ② are fixed by welding only.

ORDERING CODE	CATALOG NO.	L	H	M
	ANGRTC	180	20	M12
	ANGETC	180	30	M10

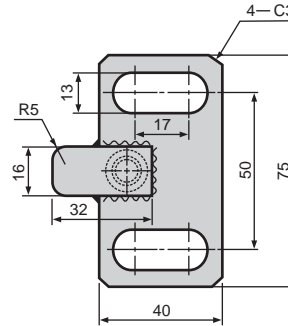
Nest Guides - Round Type Without Pilot Holes For Dowels



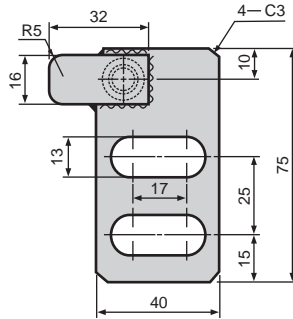
ANGRDT



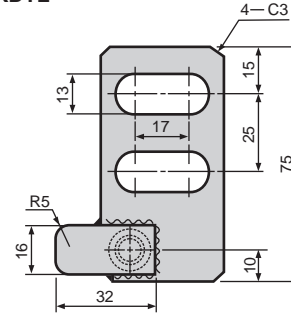
ANGRDTC



ANGRDTR



ANGRDTL



⚠ F is dimension before machining R20.
⚠ (L-F) ≥ 10

■ Mounting bolt and other accessories

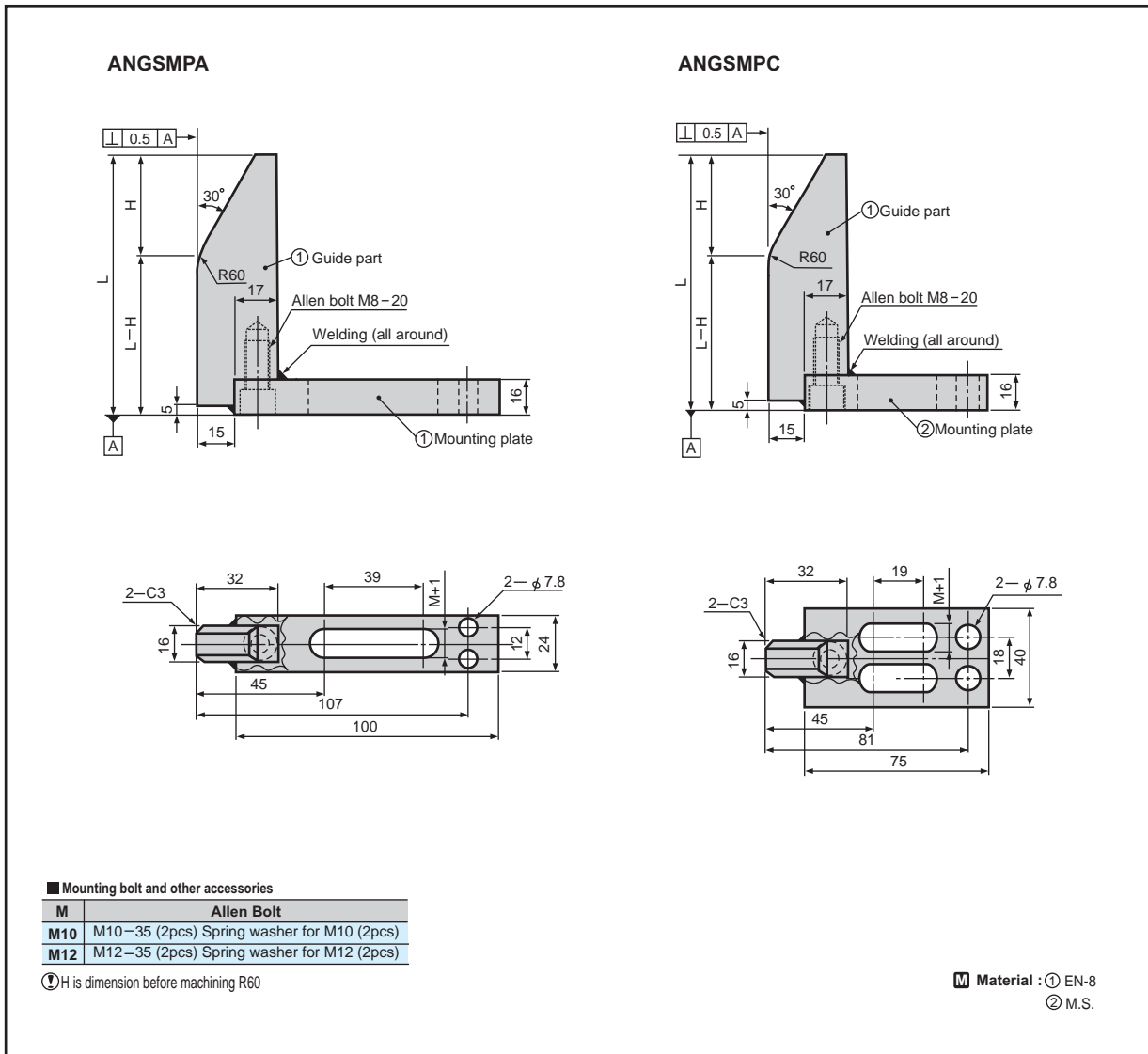
M	A
M12	Allen Bolt 12 35 (2pcs) Spring washer for M12 (2pcs)

■ Material : ① EN-8
② M.S.

Catalog No.	L	F 10mm increments	S
ANGRDT ANGRDTC ANGRDTR ANGRDTL	60	20 ~ 150	15 20
	60	20 ~ 70	
	100	20 ~ 90	
	120	20 ~ 110	
	140	20 ~ 130	
	160	20 ~ 150	
	180	20 ~ 170	
200	20 ~ 190		

ORDERING CODE	CATALOG NO.	L	F	S
	ANGRDT	190	55	10

Nest Guides - (with Selective Mounting Plate) Reinforced Type



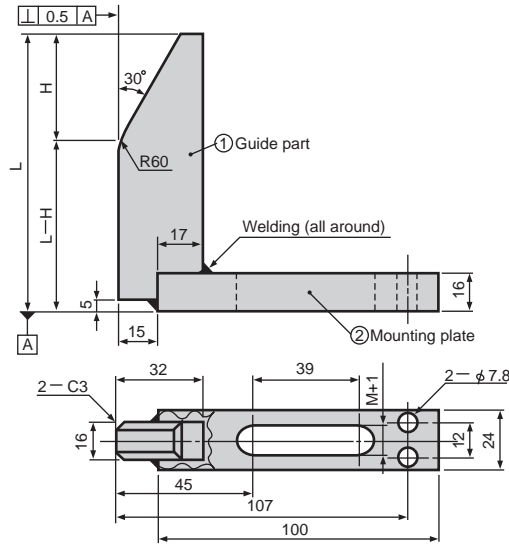
Catalog No.	L 5mm increments	H 5mm increments	Mounting bolt hole M
ANGSMPA	65 ~ 100	20 ~ 40	M10 (M12)
ANGSMPC	105 ~ 150		
	155 ~ 200		

- ① M12 is only applicable to ANGSMPA
- ① The guide part ① and the mounting plate ② are fixed by welding only.

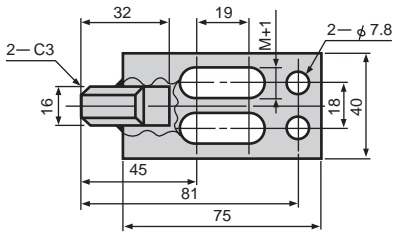
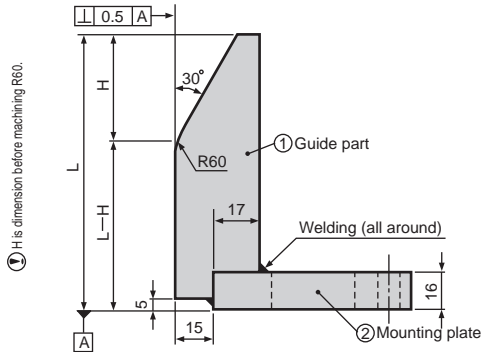
ORDERING CODE	CATLOG NO.	L	H	M
	ANGSMPA	170	30	M10

Nest Guides (with Selective Mounting Plate)

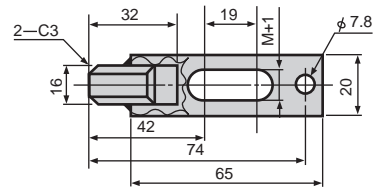
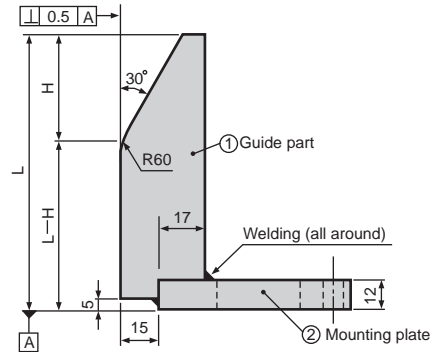
AENSTA



AENSTC



AENSTD



Mounting and other accessories

M	Accessories
M10	M10 - 35 (2pcs.) Spring washer for M10 (2pcs)
M12	M10 - 35 (2pcs.) Spring washer for M12 (2pcs)

Material : ① MS ② M.S.

Catalog No.	L	H	Mounting bolt hole M
	5mm increments	5mm increments	
AENSTA	65~100	20~40	M10 (M12)
AENSTC	105~150		
AENSTD	155~200		

① M12 is only applicable to AENSTA.

② The guide part ① and the mounting plate ② are fixed by welding only.

ORDERING CODE	CATALOG NO.	L	H	M
	AENSTA	185	40	M10