

**Section D
LIFTER UNIT**

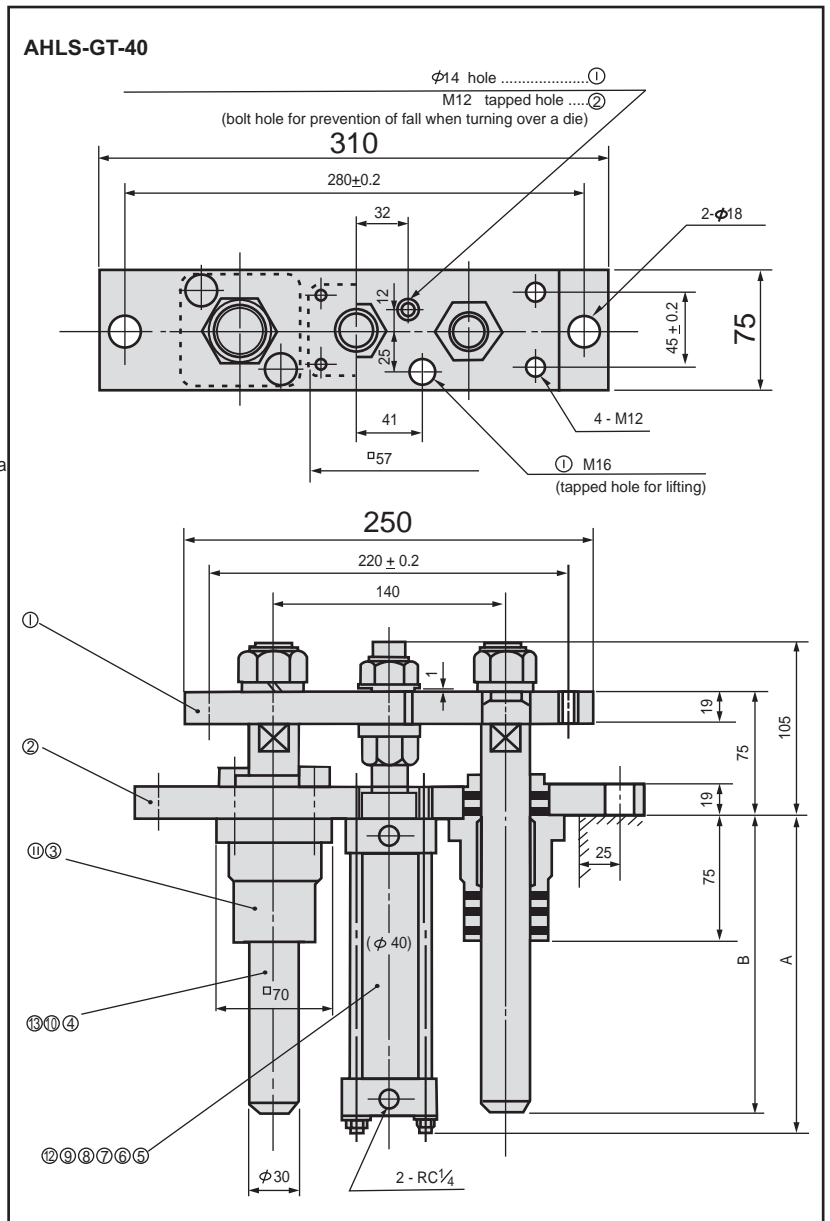


Oilless H Type Lifter

Component

No.	Description	Q'ty	Material	Remarks
1	Lifter plate	1	Mild Steel	
2	Cylinder plate	1	Mild Steel	
3	Guide holder	2	FG260	Oilless type
4	Guide pin	2	Case Hardned Steel	HRC55-60
5	Air cylinder	1		LDC4D - 40 x St
6	Collar	1	Mild Steel	
7	Spacer	1	Mild Steel	
8	Hex nut	1	Std	M20
9	U nut	1	Std	M20
10	U nut	2	Std	M24
11	Hex socket bolt	4	Std	M12 X 30
12	Flat washer	1	Std	For M20
13	Spring washer	2	Std	For M24

Note : The cylinder inner diameter is $\phi 40$ & type T
The actual output is approx. $600 \times 0.7 = 420$ N at air pressure of 500 kPa



Standard No.	Stroke	A	B	Kg Weight
AHLS-GT-40X 50	50	142	130	13.0
AHLS-GT-40X 75	75	167	155	13.3
AHLS-GT-40X100	100	192	180	13.6
AHLS-GT-40X125	125	217	205	14.1
AHLS-GT-40X150	150	242	230	14.4
AHLS-GT-40X175	175	267	255	14.9
AHLS-GT-40X200	200	292	280	15.2
AHLS-GT-40X225	225	317	305	15.5
AHLS-GT-40X250	250	342	330	15.9
AHLS-GT-40X275	275	367	355	16.2
AHLS-GT-40X300	300	392	380	16.5

ORDERING
CODE

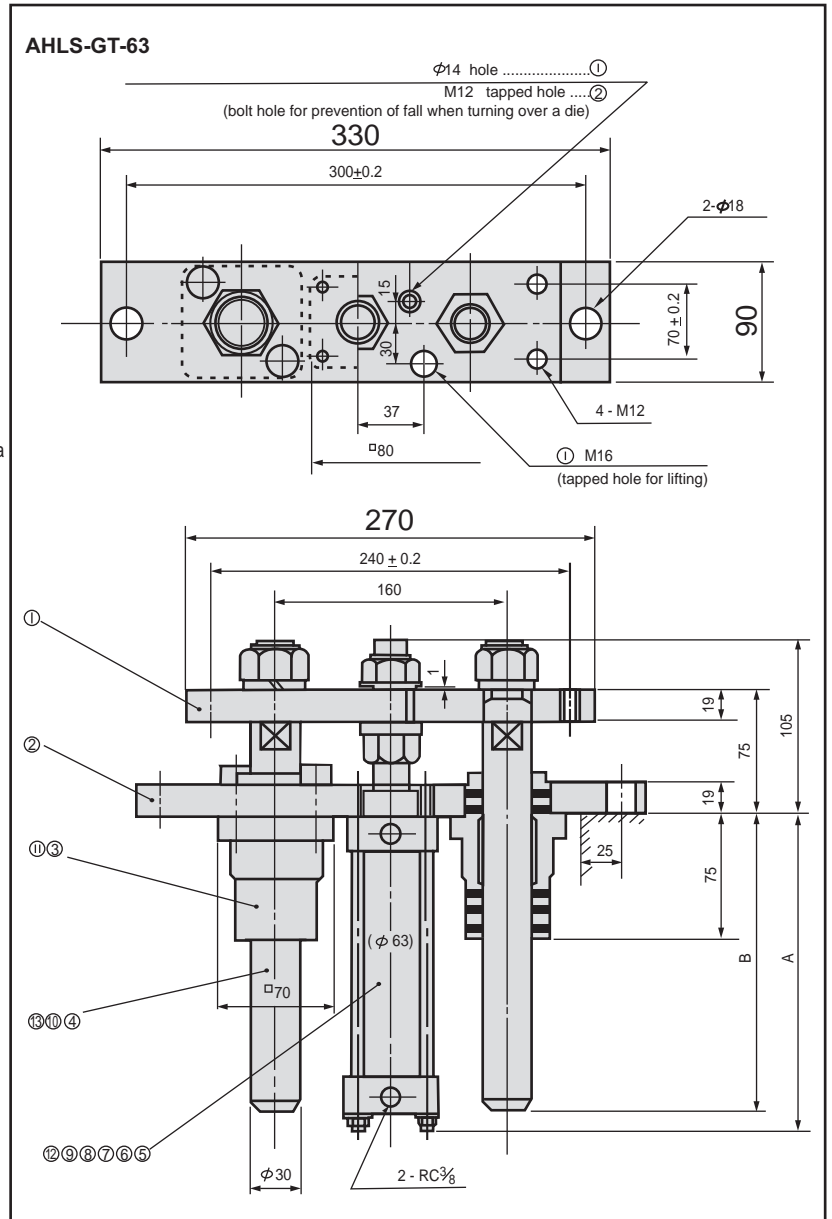
CATALOG NO. S
AHLS-GT-40 75

Oilless H Type Lifter

Component

No.	Description	Q'ty	Material	Remarks
1	Lifter plate	1	Mild Steel	
2	Cylinder plate	1	Mild Steel	
3	Guide holder	2	FG260	Oilless type
4	Guide pin	2	Case Hardned Steel	HRC55~60
5	Air cylinder	1		LDC4D - 63 x St
6	Collar	1	Mild Steel	
7	Spacer	1	Mild Steel	
8	Hex nut	1	Std	M20
9	U nut	1	Std	M20
10	U nut	2	Std	M24
11	Hex socket bolt	4	Std	M12 X 30
12	Flat washer	1	Std	For M20
13	Spring washer	2	Std	For M24

Note : The cylinder inner diameter is 63 & type T
The actual output is approx. $1500 \times 0.7 = 1050 \text{ N}$ at air pressure of 500 kPa



Standard No.	Stroke	A	B	Kg Weight
AHLS-GT-63X 50	50	158	130	13.9
AHLS-GT-63X 75	75	183	155	14.2
AHLS-GT-63X100	100	208	180	14.7
AHLS-GT-63X125	125	233	205	15.6
AHLS-GT-63X150	150	258	230	16.8
AHLS-GT-63X175	175	283	255	18.3
AHLS-GT-63X200	200	308	280	17.5
AHLS-GT-63X225	225	333	305	19.0
AHLS-GT-63X250	250	358	330	19.4
AHLS-GT-63X275	275	383	355	19.8
AHLS-GT-63X300	300	408	380	20.1

ORDERING
CODE

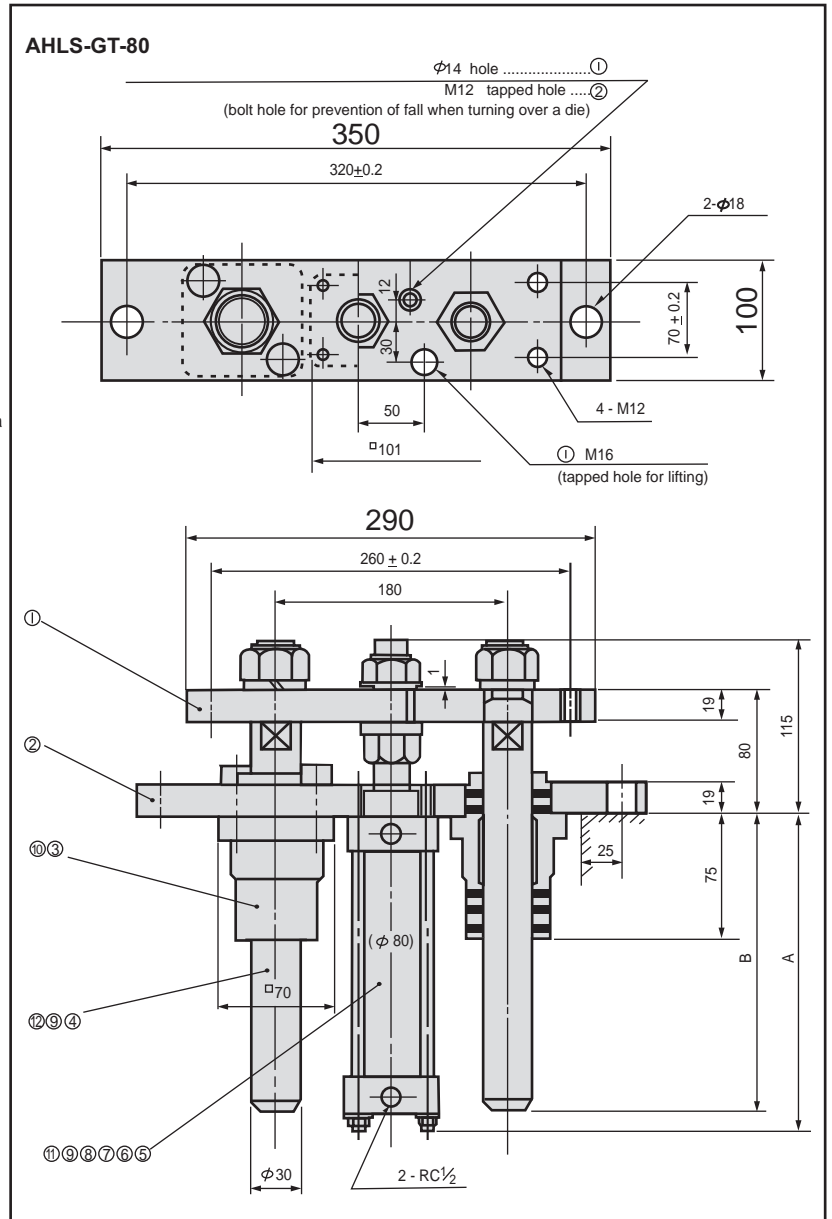
CATALOG NO. S
AHLS-GT-63 75

Oilless H Type Lifter

Component

No.	Description	Q'ty	Material	Remarks
1	Lifter plate	1	Mild Steel	
2	Cylinder plate	1	Mild Steel	
3	Guide holder	2	FG260	Oilless type
4	Guide pin	2	Case Hardned Steel	HRC55-60
5	Air cylinder	1		LDC4D - 80 x St
6	Collar	1	Mild Steel	
7	Spacer	1	Mild Steel	
8	Hex nut	1	Std	M24
9	U nut	2	Std	M24
10	Hex socket bolt	4	Std	M12 X 30
11	Flat washer	1	Std	For M24
12	Spring washer	2	Std	For M24

Note : The cylinder inner diameter is $\phi 80$ & type T
The actual output is approx. $2250 \times 0.7 = 1750 \text{ N}$ at air pressure of 500 kPa



Standard No.	Stroke	A	B	Kg Weight
AHLS-GT-80X 50	50	179	130	19.2
AHLS-GT-80X 75	75	204	155	19.5
AHLS-GT-80X100	100	229	180	20.0
AHLS-GT-80X125	125	254	205	20.6
AHLS-GT-80X150	150	279	230	21.1
AHLS-GT-80X175	175	304	255	21.5
AHLS-GT-80X200	200	329	280	22.2
AHLS-GT-80X225	225	354	305	22.9
AHLS-GT-80X250	250	379	330	23.6
AHLS-GT-80X275	275	404	355	24.3
AHLS-GT-80X300	300	429	380	25.1

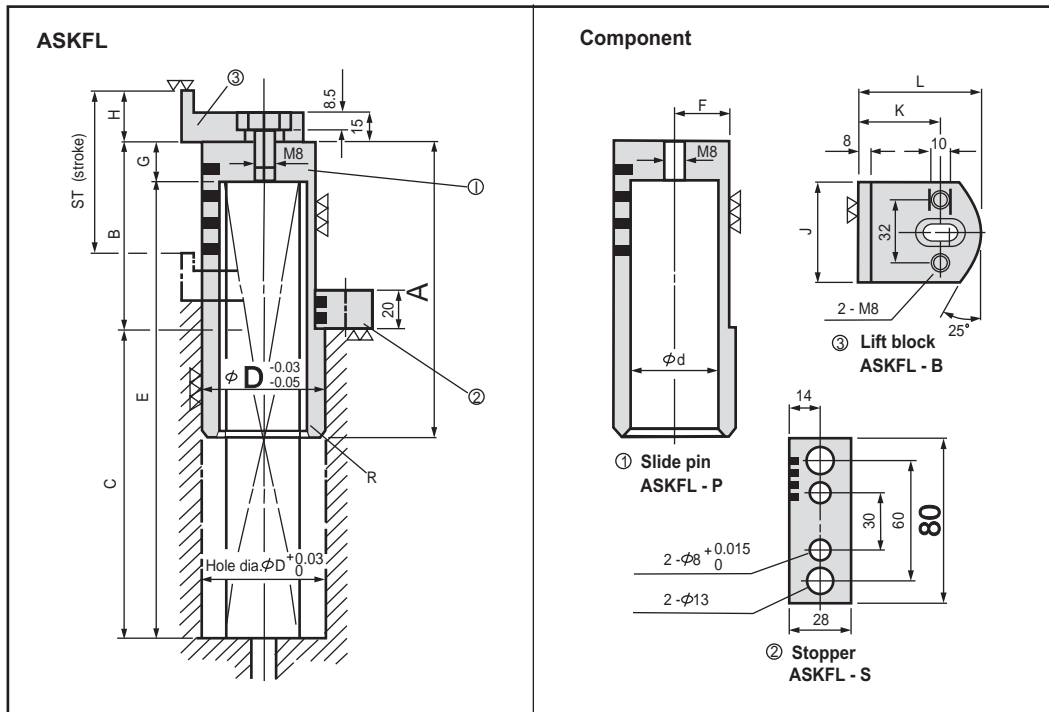
ORDERING
CODE

CATALOG NO. S
AHLS-GT-80 75

Oilless Flange Lifter

Component

No.	Description	Q'ty	Material	Remarks
1	Slide pin	1	FG260	Oilless type
2	Stopper	1	S45C	Oilless type
3	Lift block	1	S45C	



Standard No.	ST	A	B	C	D	E	F	G	H	J	K	L	φd
ASKFL-50X100	50	110	75	105	50	155	19	25	25	45	40	55	33
ASKFL-60X150	80	160	105	155	60	230	25	30	25	50	40	60	43
ASKFL-75X200	100	200	125	195	75	280	30	40	30	60	55	75	53

Specifications

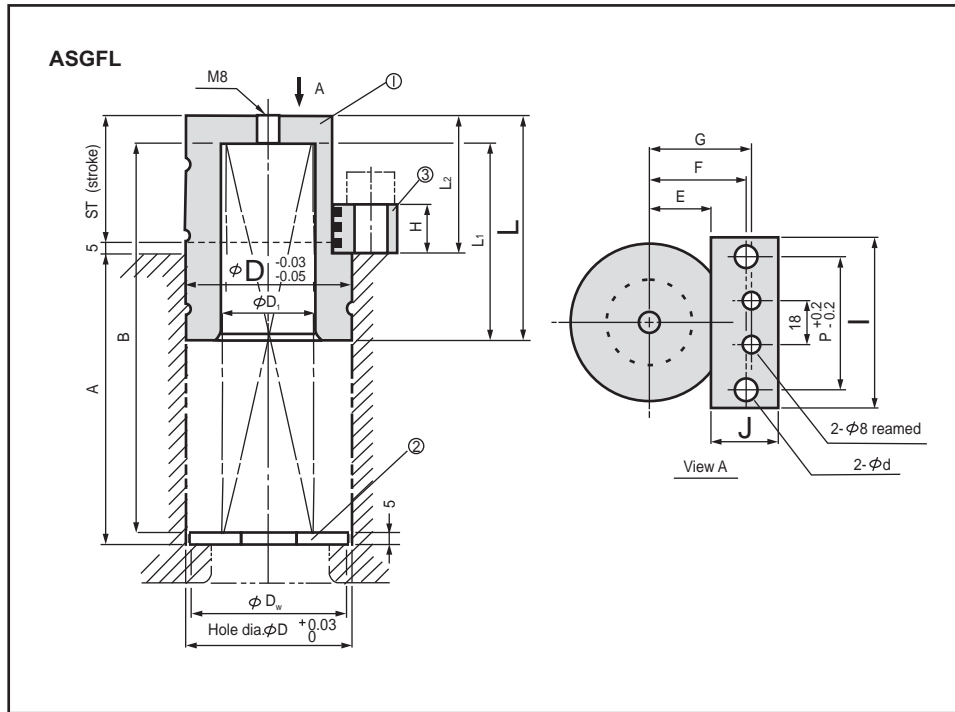
Standard No.	Spring	Initial		Final	
		Length mm	Load N	Length mm	Load N
ASKFL-50X100	AF30 X 175	155	160	105	580
ASKFL-60X150	AF40 X 250	230	200	150	1020
ASKFL-75X200	AF50 X 300	280	260	180	1600

ORDERING CODE	CATALOG NO.	ST	SPRING
	ASKFL50	100	AF

Oilless Flange Lifter

Component

No.	Description	Q'ty	Material	Remarks
1	Slide pin	1	FG260	
2	Washer	1	S45C	
3	Stopper	1	S45C	Oilless type



Standard No.	φD	ST	L	φD ₁	L ₁	L ₂	A	B	E	F	G	H	I	J
ASGFL-65X 50	50	50	90	37	80	55	115	155	25	39	40	20	68	25
ASGFL-80X 80	80	80	140	53	125	85	165	230	32	49	49	50	80	30
ASGFL-80X120		120	180		150	125	195	285						

Standard No.	φd	p	φDw	Spring size	Initial N	Final N
ASGFL-65X 50	φ13	48	63	AF35 X 175	224	784
ASGFL-80X 80	φ18	54	78	AF50 X 250	320	1600
ASGFL-80X120				AF50 X 300	200	1800

ORDERING CODE	CATALOG NO.	ST	SPRING
	ASGFL80	120	AF