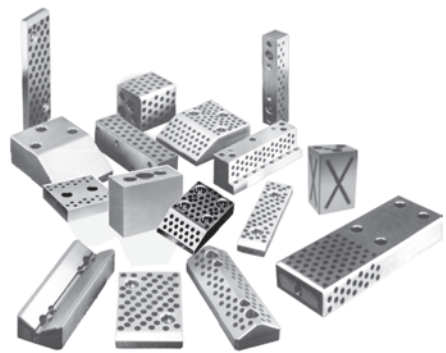
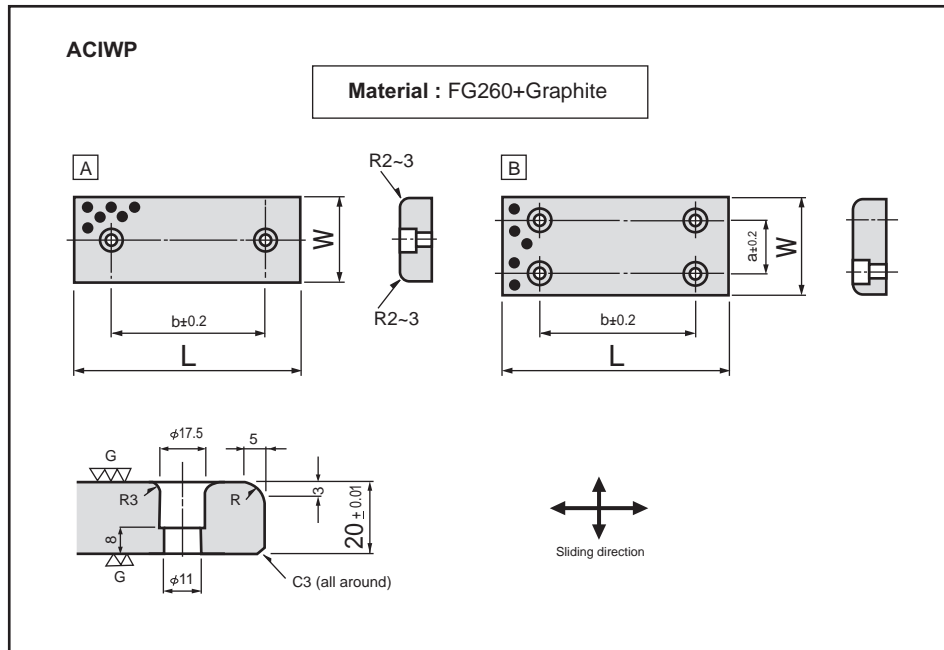


Section A
WEAR PLATE



Oilless Wear Plate

Cast iron (FG260) is used as the base metal with special solid lubricants embedded. The slide plate of this type has excellent wear-resistance. This slide plate as well as ABWP is applicable for most sliding areas of press dies.

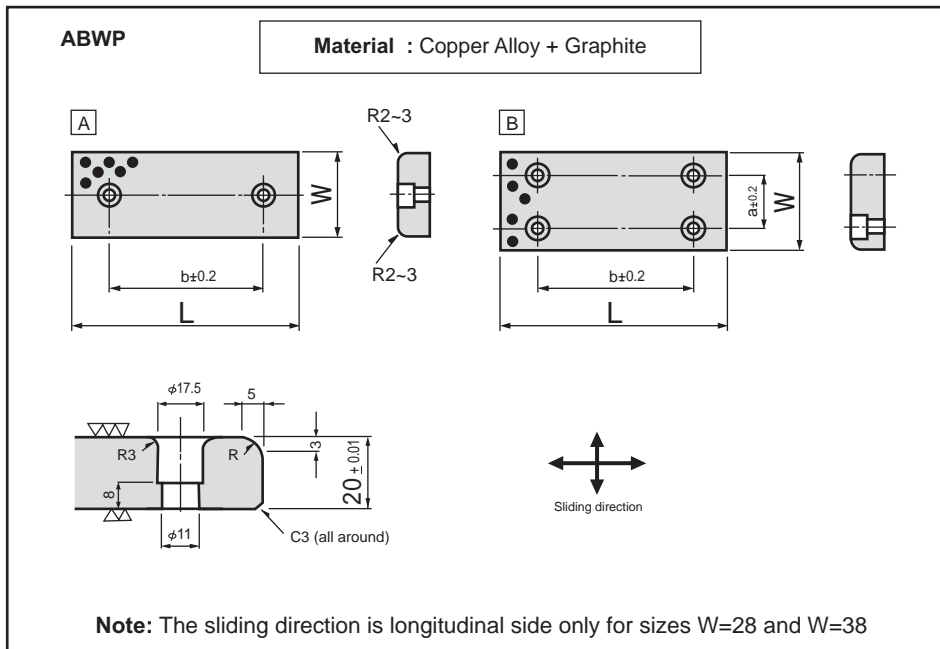


Standard No.	W	L	a	b	Sketch
ACIWP- 48X 75	48	75	—	45	A
ACIWP- 48X100		100		50	
ACIWP- 48X125		125		75	
ACIWP- 48X150		150		100	
ACIWP- 48X200		200		150	
ACIWP- 75X 75	75	75	—	25	A
ACIWP- 75X100		100		50	
ACIWP- 75X125		125		75	
ACIWP- 75X150		150		100	
ACIWP- 75X200		200		150	
ACIWP- 75X250	250	200			
ACIWP- 100X100	100	100	50	50	B
ACIWP- 100X125		125		75	
ACIWP- 100X150		150		100	
ACIWP- 100X200		200		150	
ACIWP- 100X250		250		200	
ACIWP- 100X300	300	200			
ACIWP- 125X125	125	125	50	75	B
ACIWP- 125X150		150		100	
ACIWP-125X200		200		150	
ACIWP-125X250		250		200	
ACIWP-125X300		300		200	
ACIWP-150X150	150	150	100	100	B
ACIWP-150X200		200		150	
ACIWP-150X250		250		200	

ORDERING CODE	CATALOG NO.	W	L
ACIWP	100	125	

Oilless Wear Plate

Special copper alloy is used as the base metal with special solid lubricants embedded. The slide plate of this type has excellent wear-resistance. This slide plate as well as ACIWP is applicable for most sliding areas of press dies.

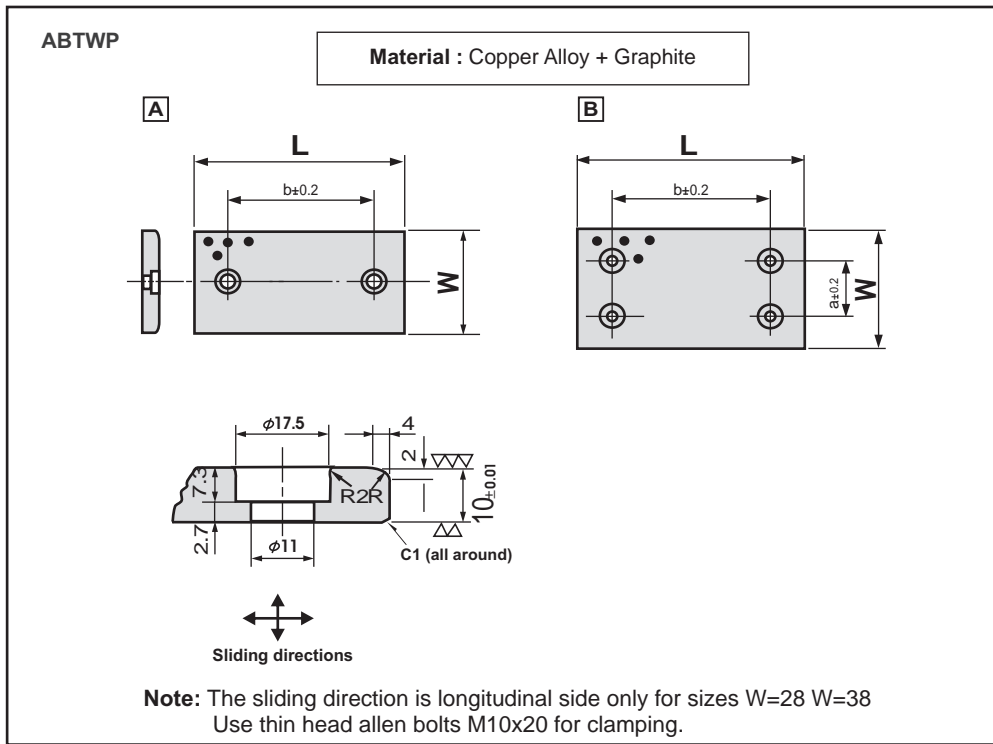


Standard No.	W	L	a	b	Sketch
ABWP- 28X 75	28	75	—	45	A
ABWP- 28X100		100		50	
ABWP- 28X150		150		100	
ABWP- 38X 75	38	75	—	45	
ABWP- 38X100		100		50	
ABWP- 38X150		150		100	
ABWP- 48X 75	48	75	—	45	
ABWP- 48X100		100		50	
ABWP- 48X125		125		75	
ABWP- 48X150		150		100	
ABWP- 48X200		200		150	
ABWP- 58X 75	58	75	—	45	
ABWP- 58X100		100		50	
ABWP- 58X150		150		100	
ABWP- 75X 75	75	75	—	25	
ABWP- 75X100		100		50	
ABWP- 75X125		125		75	
ABWP- 75X150		150		100	
ABWP- 75X200		200		150	
ABWP-100X100	100	100	50	50	B
ABWP-100X125		125		75	
ABWP-100X150		150		100	
ABWP-100X200		200		150	
ABWP-100X250		250		200	
ABWP-100X300		300		200	
ABWP-125X125	125	125	50	75	
ABWP-125X150		150		100	
ABWP-125X200		200		150	
ABWP-125X250		250		200	
ABWP-125X300		300		200	
ABWP-125X350		350		200	
ABWP-150X150	150	150	100	100	
ABWP-150X200		200		150	
ABWP-150X250		250		200	

ORDERING CODE	CATALOG NO.	W	L
	ABWP	100	125

Oilless Thin (10mm) Wear Plate

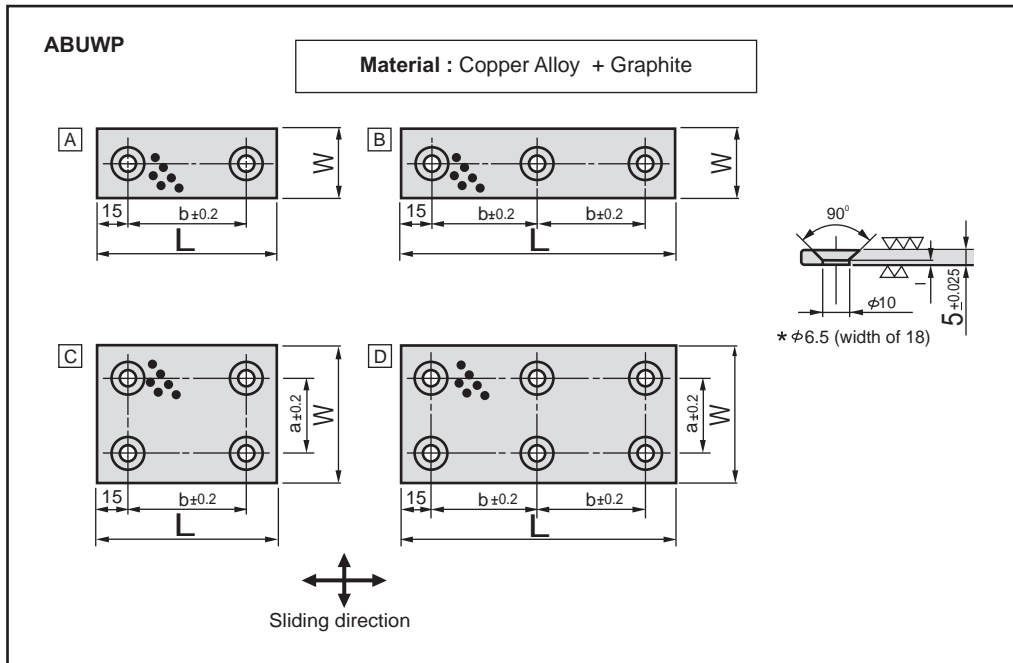
Special copper alloy is used as the base metal with special solid lubricants embedded. The slide plate of this type has good wear-resistance. This thin plate of 10 mm thickness is designed to save space and is applicable for pads, heels or cams in press dies.



Standard No.	W	L	a	b	Sketch
ABTWP- 28X75	28	75	—	45	A
ABTWP- 28X100		100		50	
ABTWP- 28X125		125		75	
ABTWP- 28X150		150		100	
ABTWP- 38X75	38	75	—	45	
ABTWP- 38X100		100		50	
ABTWP- 38X125		125		75	
ABTWP- 38X150		150		100	
ABTWP- 48X75	48	75	—	45	
ABTWP- 48X100		100		50	
ABTWP- 48X125		125		75	
ABTWP- 48X150		150		100	
ABTWP- 48X200		200		150	
ABTWP- 75X75	75	75	—	25	
ABTWP- 75X100		100		50	
ABTWP- 75X125		125		75	
ABTWP- 75X150		150		100	
ABTWP- 75X200		200		150	
ABTWP- 100X100	100	100	50	50	B
ABTWP-100X125		125		75	
ABTWP-100X150		150		100	
ABTWP-100X200		200		150	
ABTWP-100X250		250		200	
ABTWP-125X150	125	150	50	100	
ABTWP-125X200		200		150	
ABTWP-125X250		250		200	
ABTWP-150X150	150	150	100	100	
ABTWP-150X200		200		150	

ORDERING CODE	CATALOG NO.	W	L
	ABTWP	100	125

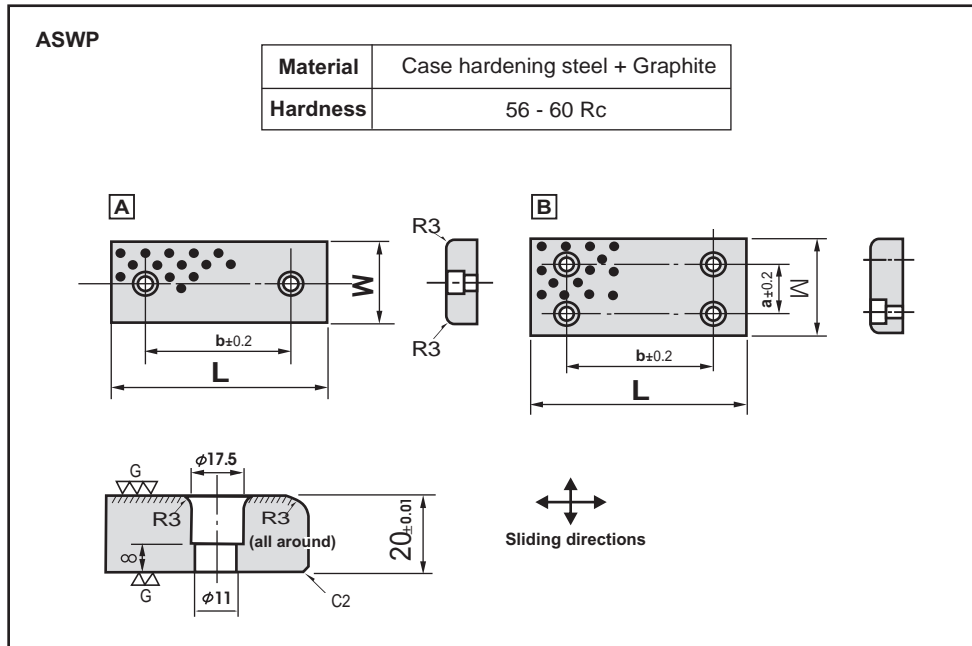
Oilless Thin (5mm) Wear Plate



Standard No.	W	L	a	b	Sketch
ABUWP- 18X 50	18	50	—	20	A
ABUWP- 18X 75		75		45	
ABUWP- 18X100		100		70	
ABUWP- 18X150		150		60	
ABUWP- 28X 50	28	50	—	20	A
ABUWP- 28X 75		75		45	
ABUWP- 28X100		100		70	
ABUWP- 28X150		150		60	
ABUWP- 38X 50	38	50	—	20	A
ABUWP- 38X 75		75		45	
ABUWP- 38X100		100		70	
ABUWP- 38X150		150		60	
ABUWP- 48X 75	48	75	—	45	A
ABUWP- 48X100		100		70	
ABUWP- 48X125		125		95	
ABUWP- 48X150		150		60	
ABUWP- 75X 75	75	75	45	45	C
ABUWP- 75X100		100		70	
ABUWP- 75X125		125		95	
ABUWP- 75X150		150		60	
ABUWP- 100X100	100	100	70	70	C
ABUWP- 100X125		125		95	
ABUWP- 100X150		150		60	

ORDERING CODE	CATALOG NO.	W	L
ABUWP	100	125	

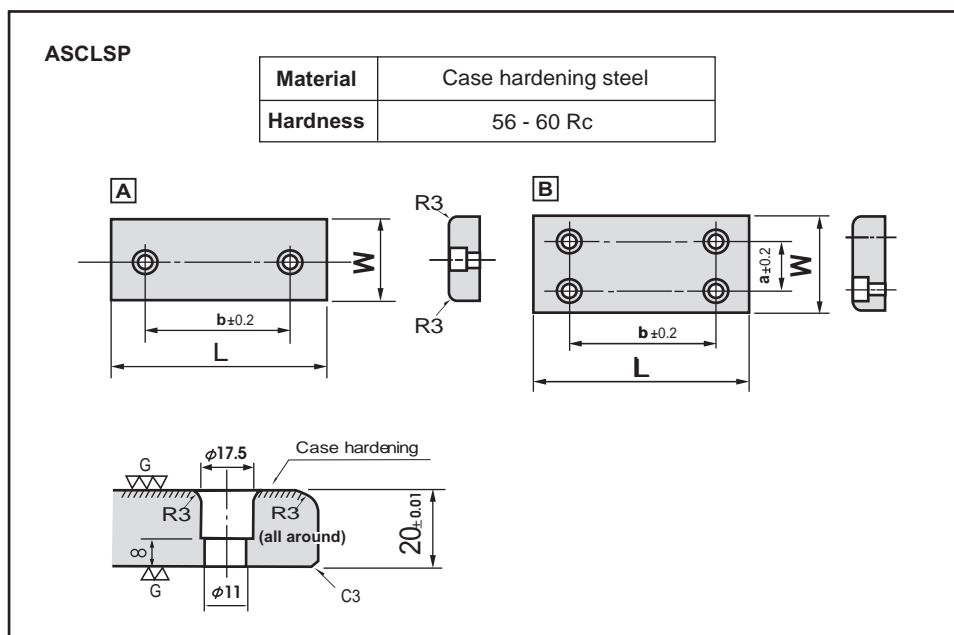
Oilless Wear Plate



Standard No.	W	L	a	b	Sketch
ASWP- 48X 75	48	75	—	45	A
ASWP- 48X100		100		50	
ASWP- 48X125		125		75	
ASWP- 48X150		150		100	
ASWP- 48X200		200		150	
ASWP- 75X 75	75	75	—	25	A
ASWP- 75X100		100		50	
ASWP- 75X125		125		75	
ASWP- 75X150		150		100	
ASWP- 75X200		200		150	
ASWP- 100X100	100	100	50	50	B
ASWP- 100X125		125		75	
ASWP- 100X150		150		100	
ASWP- 100X200		200		150	
ASWP- 100X250		250		200	
ASWP- 125X125	125	125	50	75	B
ASWP- 125X150		150		100	
ASWP- 125X200		200		150	
ASWP- 125X250		250		200	
ASWP- 150X150	150	150	100	100	B
ASWP- 150X200		200		150	
ASWP- 150X250		250		200	

ORDERING CODE	CATALOG NO.	W	L
ASWP	100	125	

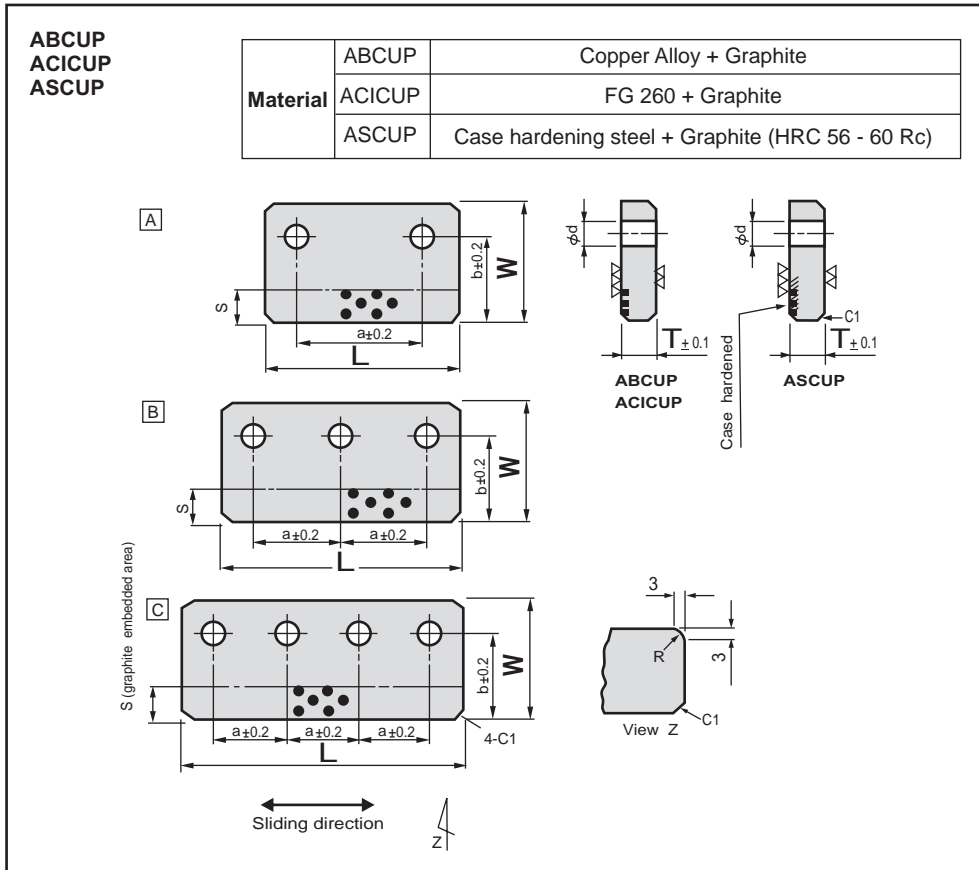
Cam Lower Slide Plate



Standard No.	W	L	a	b	Sketch
ASCLSP- 38X 75	38	75	—	45	A
ASCLSP- 38X100		100		50	
ASCLSP- 38X150		150		100	
ASCLSP- 48X 75	48	75	—	45	
ASCLSP- 48X100		100		50	
ASCLSP- 48X125		125		75	
ASCLSP- 48X150		150		100	
ASCLSP- 48X200		200		150	
ASCLSP- 48X250	250	200	200		
ASCLSP- 75X 75	75	75	—	25	
ASCLSP- 75X100		100		50	
ASCLSP- 75X125		125		75	
ASCLSP- 75X150		150		100	
ASCLSP- 75X200		200		150	
ASCLSP- 75X250		250		200	
ASCLSP- 100X100	100	100	50	50	B
ASCLSP- 100X125		125		75	
ASCLSP- 100X150		150		100	
ASCLSP- 100X200		200		150	
ASCLSP-100X250		250		200	
ASCLSP-125X125	125	125	50	75	
ASCLSP-125X150		150		100	
ASCLSP-125X200		200		150	
ASCLSP-125X250		250		200	
ASCLSP-150X150		150		150	
ASCLSP-150X200	200		150		
ASCLSP-150X250	250		200		

ORDERING CODE	CATALOG NO.	W	L
ASCLSP	100	125	

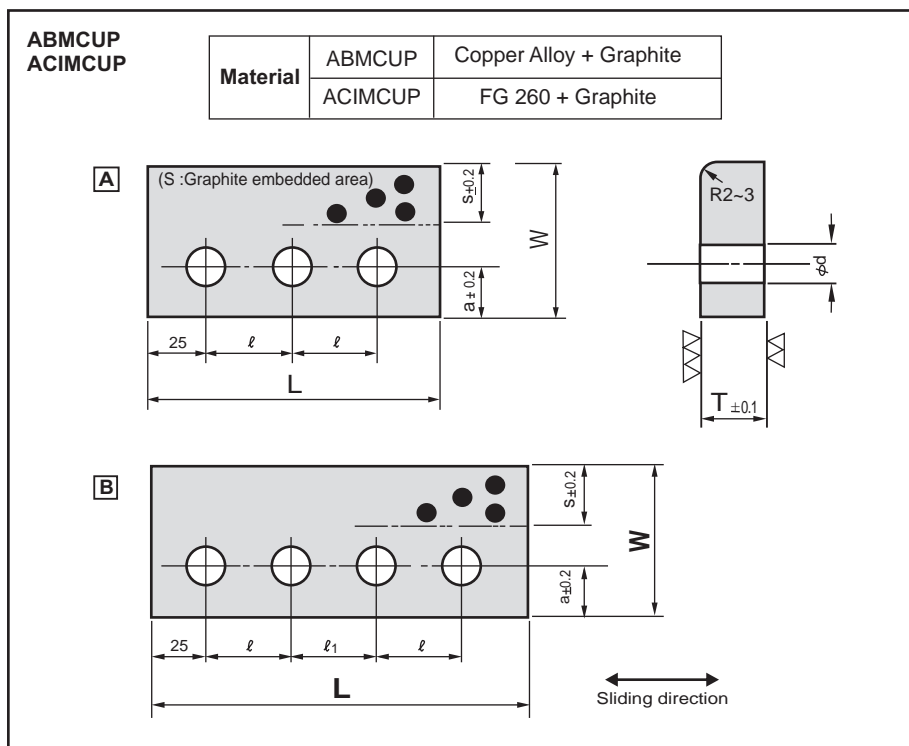
Oilless Cam Upper Plate



Standard No.	W	L	T	a	b	ϕd	s	Sketch
ABCUP- 70X160	70	160	25	110	50	18	25	A
ABCUP- 70X200		200		75				B
ABCUP- 70X240		240		90				
ABCUP- 85X200	85	200	28	75	60	22	30	B
ABCUP- 85X240		240		90				
ABCUP- 85X300		300		80				C
ABCUP- 85X350		350		90				
ACICUP- 70X160	70	160	25	110	50	18	25	A
ACICUP- 70X200		200		75				B
ACICUP- 70X240		240		90				
ACICUP- 85X200	85	200	28	75	60	22	30	B
ACICUP- 85X240		240		90				
ACICUP- 85X300		300		80				C
ACICUP- 85X350		350		90				
ACICUP- 100X200	100	200	28	75	70	22	30	B
ACICUP- 100X240		240		90				
ACICUP- 100X300		300		80				C
ACICUP- 100X350		350		90				
ASCUP- 70X160	70	160	25	110	50	18	25	A
ASCUP- 70X200		200		75				B
ASCUP- 70X240		240		90				
ASCUP- 85X200	85	200	28	75	60	22	30	B
ASCUP- 85X240		240		90				
ASCUP- 85X300		300		80				C
ASCUP- 85X350		350		90				
ASCUP-100X200	100	200	28	75	70	22	30	B
ASCUP-100X240		240		90				
ASCUP-100X300		300		80				C
ASCUP-100X350		350		90				

ORDERING CODE	CATALOG NO.	W	L
	ABCUP	70	160
	ACICUP	70	160
	ASCUP	70	160

Oilless Cam Upper Plate

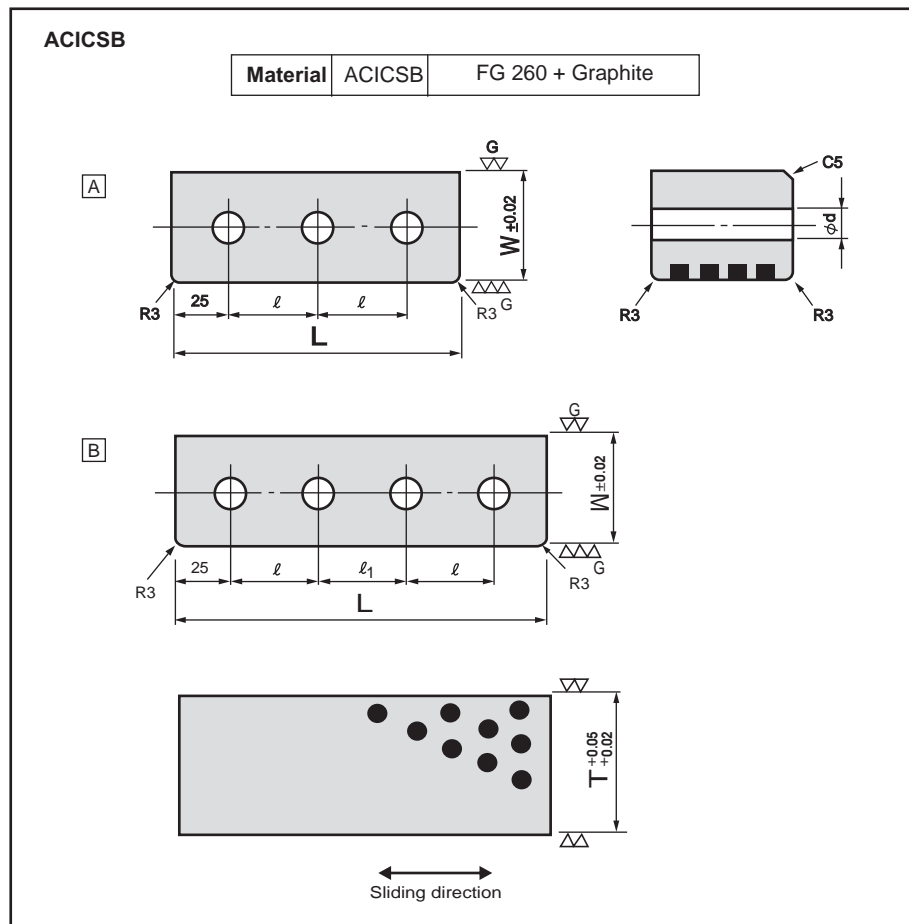


Standard No.	T	L	W	ℓ	ℓ1	a	s	φd	Sketch	
ABMCUP- 20X150	20	150	52	50	—	20	12	13	A	
ABMCUP- 20X200		200		75	50				B	
ABMCUP- 20X250		250		—	—				—	
ABMCUP- 30X150	30	150	72	50	—	25	22	18	A	
ABMCUP- 30X200		200		75	50				B	
ABMCUP- 30X250		250		—	—				—	
ABMCUP- 35X150	35	150	77	50	—	25	27	18	A	
ABMCUP- 35X200		200		75	50				B	
ABMCUP- 35X250		250		—	—				—	
ABMCUP- 40X150	40	150	82	50	—	25	32	18	A	
ABMCUP- 40X200		200		75	50				B	
ABMCUP- 40X250		250		—	—				—	A
ABMCUP- 40X150D		150		—	—				—	B
ABMCUP- 40X200D	200	105	75	50	—	25	32	18	A	
ABMCUP- 40X250D		250		—	—				—	B
ACIMCUP- 20X150		20		150	52				50	—
ACIMCUP- 20X200	200		75	50		B				
ACIMCUP- 20X250	250		—	—		—				
ACIMCUP- 30X150	30	150	72	50	—	25	22	18	A	
ACIMCUP- 30X200		200		75	50				B	
ACIMCUP- 30X250		250		—	—				—	
ACIMCUP- 35X150	35	150	77	50	—	25	27	18	A	
ACIMCUP- 35X200		200		75	50				B	
ACIMCUP- 35X250		250		—	—				—	
ACIMCUP- 40X150	40	150	82	50	—	25	32	18	A	
ACIMCUP- 40X200		200		75	50				B	
ACIMCUP- 40X250		250		—	—				—	A
ACIMCUP- 40X150D		150		—	—				—	B
ACIMCUP- 40X200D	200	105	75	50	—	25	32	18	A	
ACIMCUP- 40X250D		250		—	—				—	B
ACIMCUP- 40X250D		250		—	—				—	B

ORDERING CODE	CATALOG NO.	W	L
	ABMCUP	52	150
	ACIMCUP	52	150

Oilless Cam Side Block

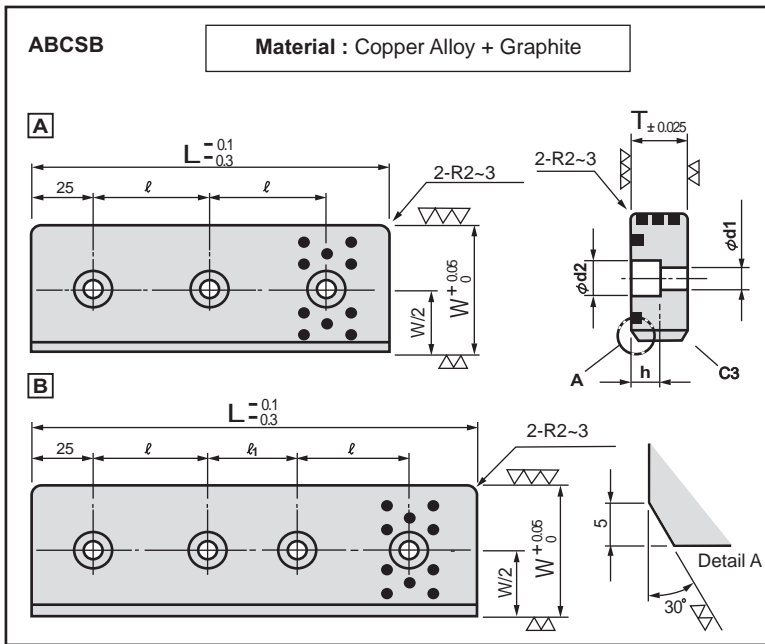
Cast iron is used as the base metal. Use this block together with ABMCUP or ACIMCUP



Standard No.	T	L	W	l	l1	φd	Sketch
ACICSB- 40X150	40	150	40	50	—	14	A
ACICSB- 40X200		200		75	50		B
ACICSB- 40X250		250		75	50		B
ACICSB- 55X150	55	150	50	50	—	20	A
ACICSB- 55X200		200		75	50		B
ACICSB- 55X250		250		75	50		B
ACICSB- 70X150	70	150	50	50	—	20	A
ACICSB- 70X200		200		75	50		B
ACICSB- 70X250		250		75	50		B
ACICSB- 30X150	30	150	40	50	—	14	A
ACICSB- 30X200		200		75	50		B
ACICSB- 30X250		250		75	50		B
ACICSB- 45X150	45	150	50	50	—	20	A
ACICSB- 45X200		200		75	50		B
ACICSB- 45X250		250		75	50		B
ACICSB- 60X150	60	150	50	50	—	20	A
ACICSB- 60X200		200		75	50		B
ACICSB- 60X250		250		75	50		B

ORDERING CODE	CATALOG NO.	W	L
	ACICSB	40	150

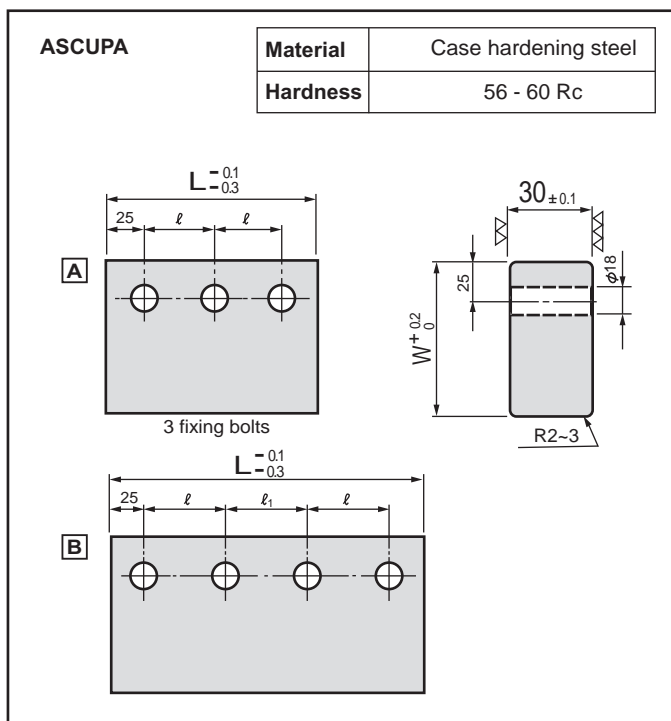
Oilless Cam Side Block



Standard No.	T	W	L	ℓ	ℓ1	Sketch	φ d1	φ d2	h
ABCSB- 50X150X20	20	50	150	50	—	A	11	17.5	12
ABCSB- 50X200X20			200	75	—	A			
ABCSB- 50X250X20		250	75	50	B				
ABCSB- 75X150X20	75	50	150	50	—	A	11	17.5	12
ABCSB- 75X200X20			200	75	—	A			
ABCSB- 75X250X20		250	75	50	B				
ABCSB- 50X150X35	35	50	150	50	—	A	13	20	15
ABCSB- 50X200X35			200	75	—	A			
ABCSB- 50X250X35		250	75	50	B				
ABCSB- 75X150X35	75	50	150	50	—	A	13	20	15
ABCSB- 75X200X35			200	75	—	A			
ABCSB- 75X250X35		250	75	50	B				

ORDERING CODE	CATLOG NO.	W	L	T
ABCSB		50	150	20

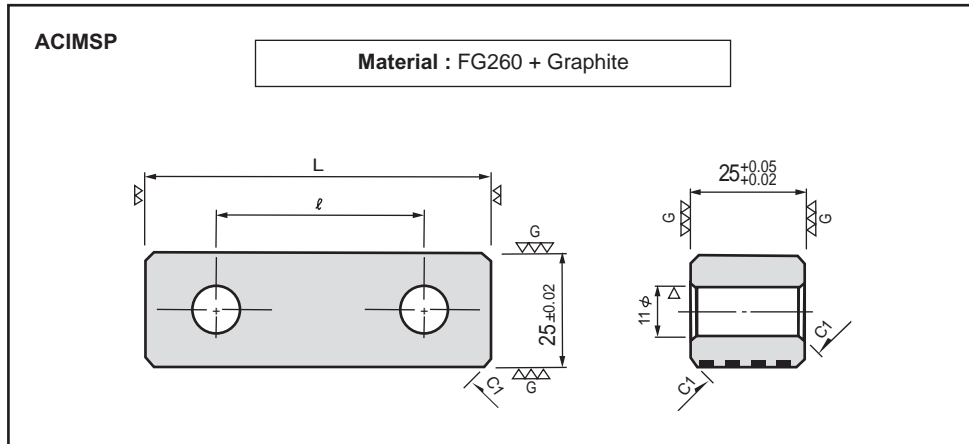
Cam upper plate



Standard No.	W	L	ℓ	ℓ1	Sketch
ASCUPA- 67X150	67	150	50	—	A
ASCUPA- 67X200		200	75	—	A
ASCUPA- 67X250		250	75	50	B
ASCUPA- 82X150	82	150	50	—	A
ASCUPA- 82X200		200	75	—	A
ASCUPA- 82X250		250	75	50	B

ORDERING CODE	CATLOG NO.	W	L
ASCUPA		67	200

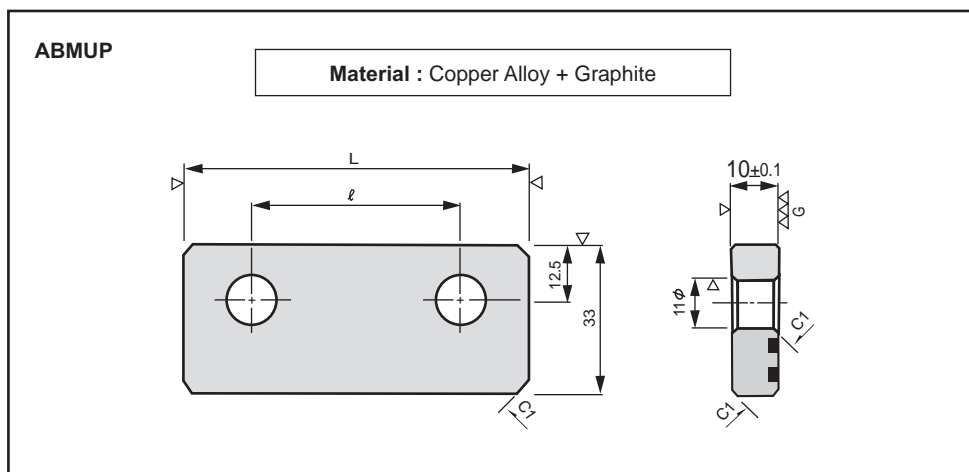
Oilless Mini Slide Plate



Standard No.	L	l
ACIMSP-25x 75	75	45
ACIMSP-25x100	100	50
ACIMSP-25x125	125	75
ACIMSP-25x150	150	100

ORDERING CODE	CATALOG NO.	L
	ACIMSP 25	100

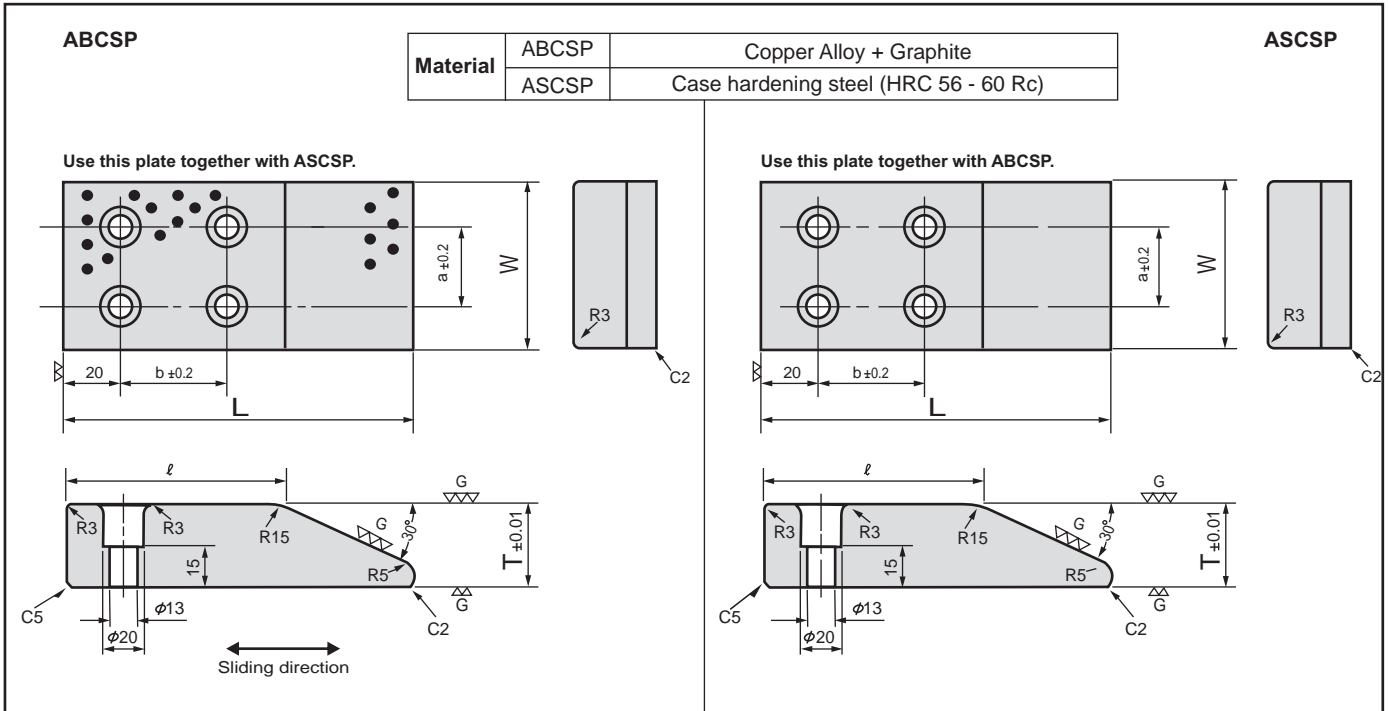
Oilless mini upper plate



Standard No.	L	l
ABMUP- 33X 75	75	45
ABMUP- 33X100	100	50
ABMUP- 33X125	125	75
ABMUP- 33X150	150	100

ORDERING CODE	CATALOG NO.	L
	ABMUP33	100

Oilless Cam Stroke Plate

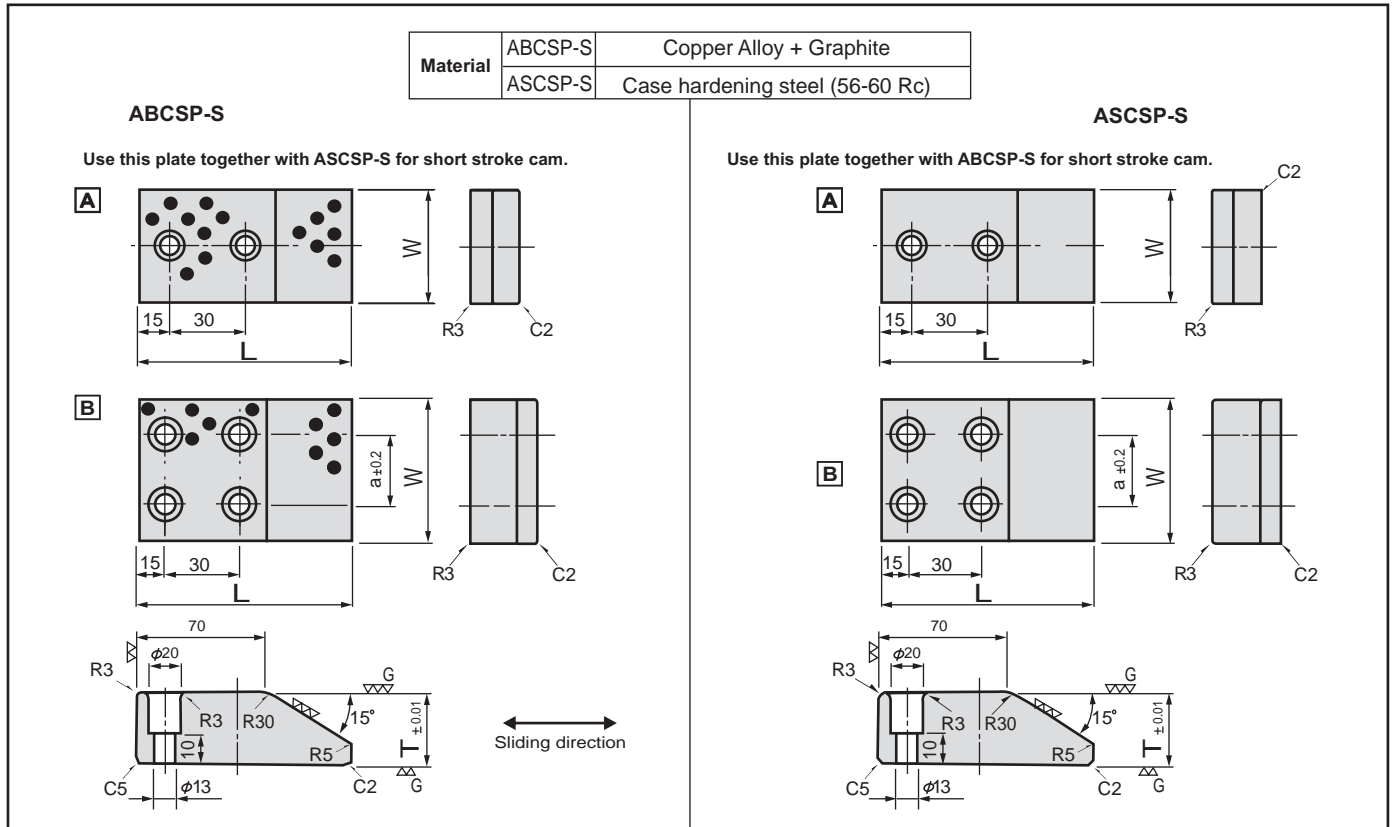


Standard No.	W	L	T	ℓ	a	b
ABCSP- 75X 130	75	130	30	95	40	50
ABCSP- 75X 150		150	45	90		45
ABCSP- 75X 170		170	60	120		75
ABCSP- 75X 200		200				
ABCSP- 100X 130	100	130	30	95	60	50
ABCSP- 100X 150		150	45	90		45
ABCSP- 100X 170		170	60	120		75
ABCSP- 100X 200		200				
ABCSP- 125X 130	125	130	30	95	85	50
ABCSP-125X 150		150	45	90		45
ABCSP-125X 170		170	60	120		75
ABCSP-125X 200		200				
ABCSP-150X 130	150	130	30	95	110	50
ABCSP-150X 150		150	45	90		45
ABCSP-150X 170		170	60	120		75
ABCSP-150X 200		200				
ASCSP- 75X130	75	130	30	95	40	50
ASCSP- 75X150		150	45	90		45
ASCSP- 75X170		170	60	120		75
ASCSP- 75X200		200				
ASCSP- 100X130	100	130	30	95	60	50
ASCSP- 100X150		150	45	90		45
ASCSP- 100X170		170	60	120		75
ASCSP- 100X200		200				
ASCSP- 125X130	125	130	30	95	85	50
ASCSP- 125X150		150	45	90		45
ASCSP- 125X170		170	60	120		75
ASCSP- 125X200		200				
ASCSP- 150X130	150	130	30	95	110	50
ASCSP- 150X150		150	45	90		45
ASCSP- 150X170		170	60	120		75
ASCSP- 150X200		200				

ORDERING CODE	CATALOG NO.	W	L	T
	ABCSP	100	150	45
	ASCSP	100	150	45



Oilless Cam Stroke Plate (15° type)

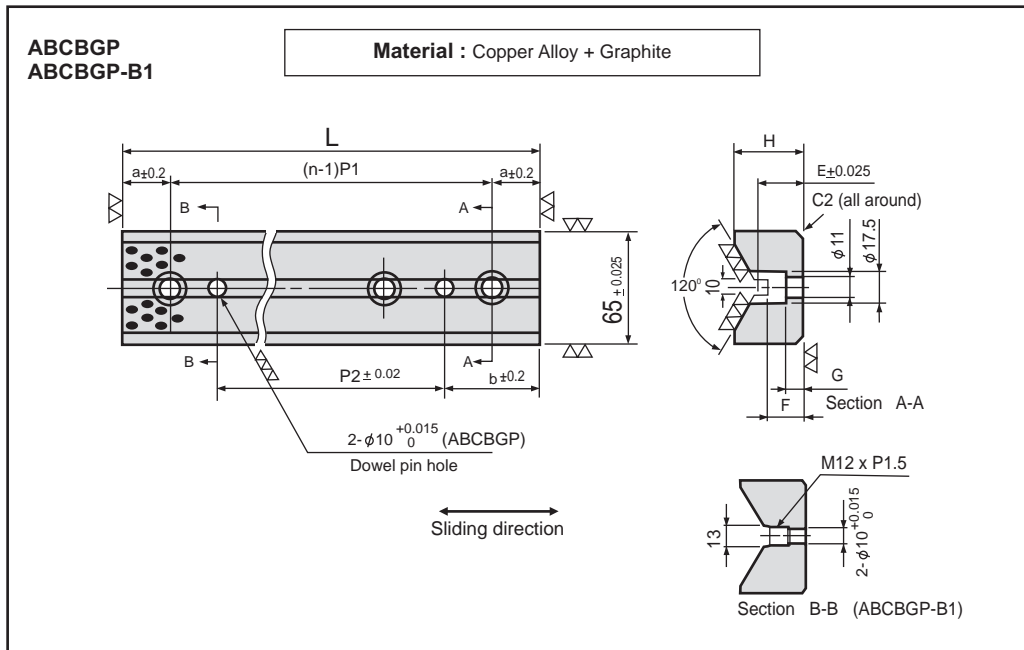


Standard No.	W	L	T	a	Sketch
ABCSP-S- 50X110	50	110	25	—	A
ABCSP-S- 50X130		130	30		
ABCSP-S- 50X150		150	35		
ABCSP-S- 75X110	75	110	25	40	B
ABCSP-S- 75X130		130	30		
ABCSP-S- 75X150		150	35		
ABCSP-S- 100X110	100	110	25	60	B
ABCSP-S- 100X130		130	30		
ABCSP-S- 100X150		150	35		
ASCSP-S- 50X110	50	110	25	—	A
ASCSP-S- 50X130		130	30		
ASCSP-S- 50X150		150	35		
ASCSP-S- 75X110	75	110	25	40	B
ASCSP-S- 75X130		130	30		
ASCSP-S- 75X150		150	35		
ASCSP-S- 100X110	100	110	25	60	B
ASCSP-S- 100X130		130	30		
ASCSP-S- 100X150		150	35		

ORDERING CODE	CATALOG NO.	W	L	T
	ABCSP-S	100	150	35
	ASCSP-S	100	150	35

Oilless Cam Bottom Guide Plate

The plate is used to guide the cam slider. This guide plate improves the horizontal centripetal force of the cam slider. Use this guide plate together with ASCBSP series.



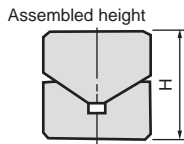
Standard No.	L	H	E	F	G	a	p1	Bolt n	b	p2				
ABCBGP- 100	100	35	18	15	8	20	60	2	40	20				
ABCBGP- 150	150					3	50							
ABCBGP- 200	200					4	100							
ABCBGP- 250	250					5	150							
ABCBGP- 300	300					6	200							
ABCBGP-B1- 100	100					37	20	20		10	20	60	2	50
ABCBGP-B1- 125	125	75	25											
ABCBGP-B1- 150	150	100	50											
ABCBGP-B1- 200	200	75	100											
ABCBGP-B1- 250	250	100	150											
ABCBGP-B1- 300	300	125	200											
											3			

ORDERING CODE	CATALOG NO.	L
	ABCBGP	150
	ABCBGP-B1	150

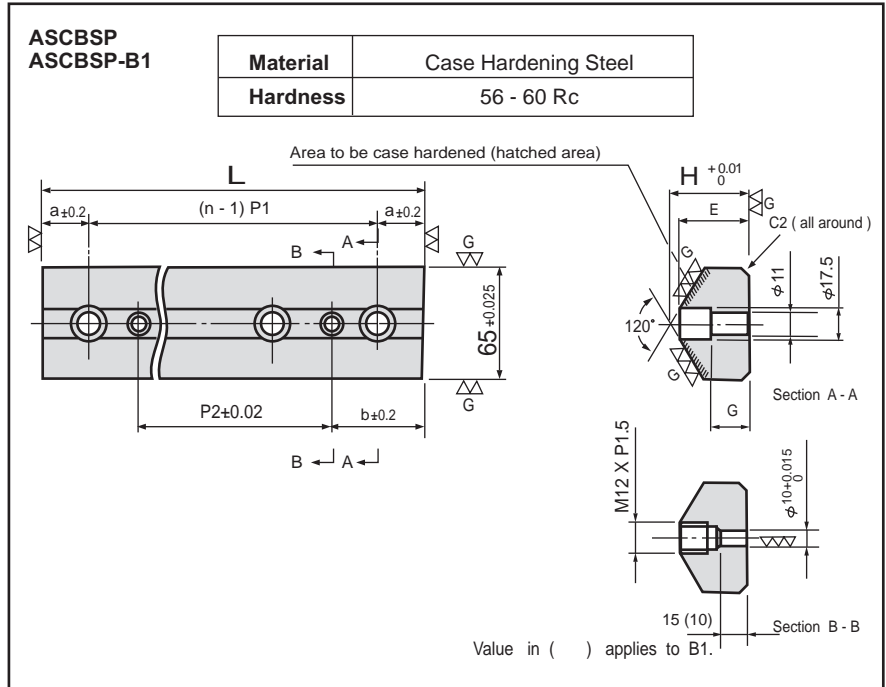
Cam Bottom Slide Plate

Example

Use this plate together ABCBGP series.



Assembled height of ABCBGP and ASCBSP to be $H=65$.
 Assembled height of ABCBGP-B1 and
 ASCBSP-B1 to be $H=50$.

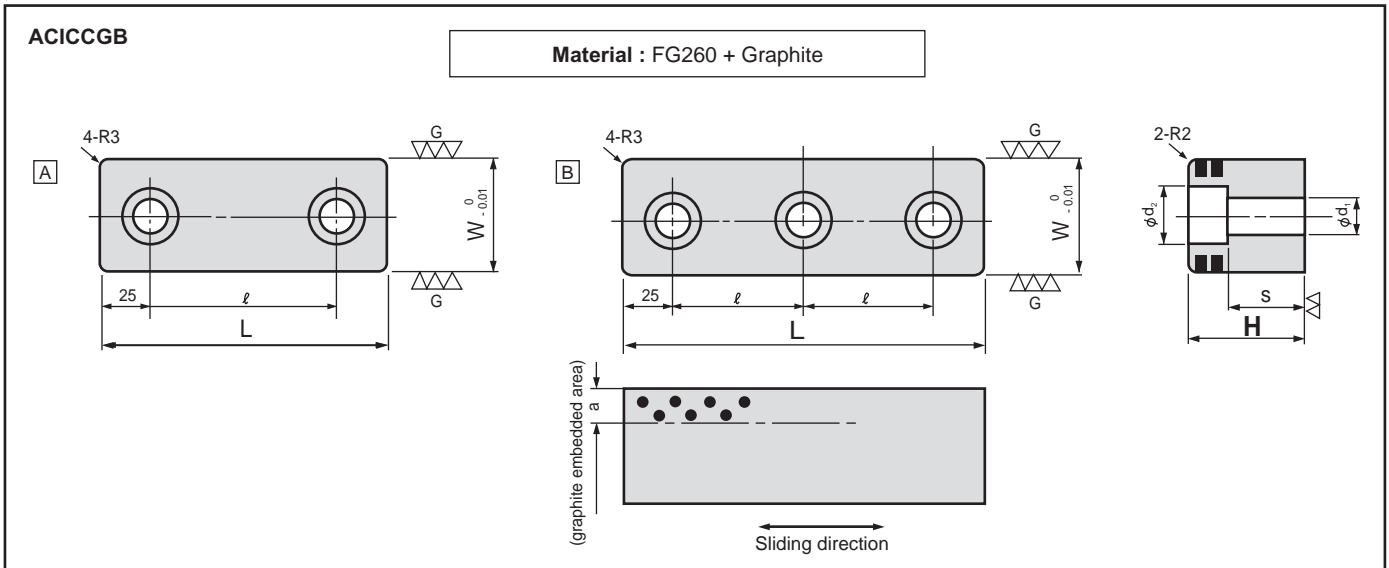


Standard No.	L	H	E	G	a	p1	Bolt n	b	p2
ASCBSP- 100	100	47	44	20	20	60	2	40	20
ASCBSP- 150	150				3	50			
ASCBSP- 200	200				4	100			
ASCBSP- 250	250				25	50	5	150	
ASCBSP- 300	300						6	200	
ASCBSP-B1- 100	100	30	26	10	20	60	2	40	20
ASCBSP-B1- 125	125				75	25			
ASCBSP-B1- 150	150				100	50			
ASCBSP-B1- 200	200				25	75	3		100
ASCBSP-B1- 250	250				100	150			
ASCBSP-B1-300	300				125	200			

ORDERING CODE	CATALOG NO. L
	ASCBSP 150
	ASCBSP-B1 150

Oilless Cam Center Guide Block

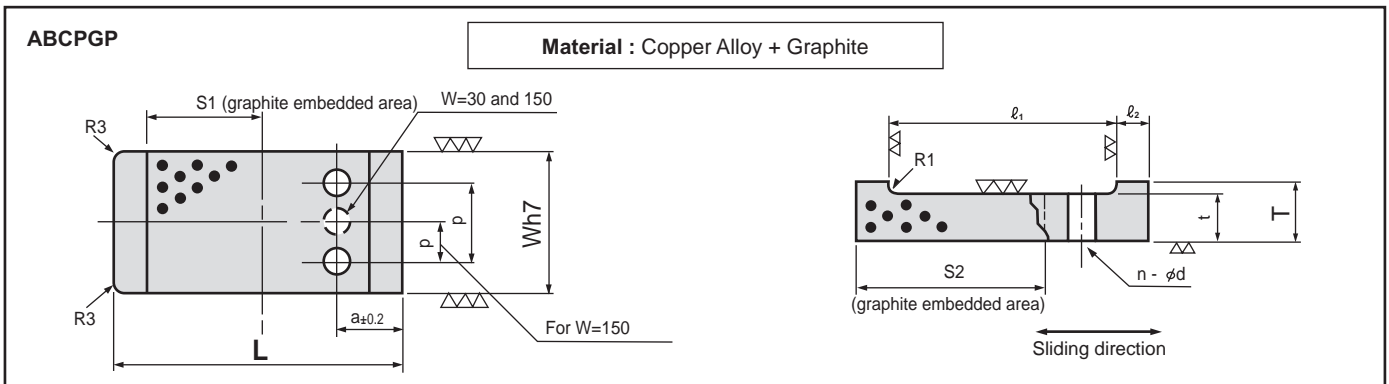
This plate is used to guide the cam slider in the center. This guide block is applicable for large cam sliders.



Standard No.	W	H	L	l	a	$\phi d1$	$\phi d2$	s	Sketch
ACICCGB- 40X150	40	45	150	100	15	13	20	30	A
ACICCGB- 40X200			200	150					B
ACICCGB- 40X250			250	100					B
ACICCGB- 60X150	60	60	150	100	20	18	32	38	A
ACICCGB- 60X200			200	150					B
ACICCGB- 60X250			250	100					B
ACICCGB- 60X300			300	125					

ORDERING CODE	CATALOG NO.	W	L
	ACICCGB	40	200

Oilless cam pad guide plate

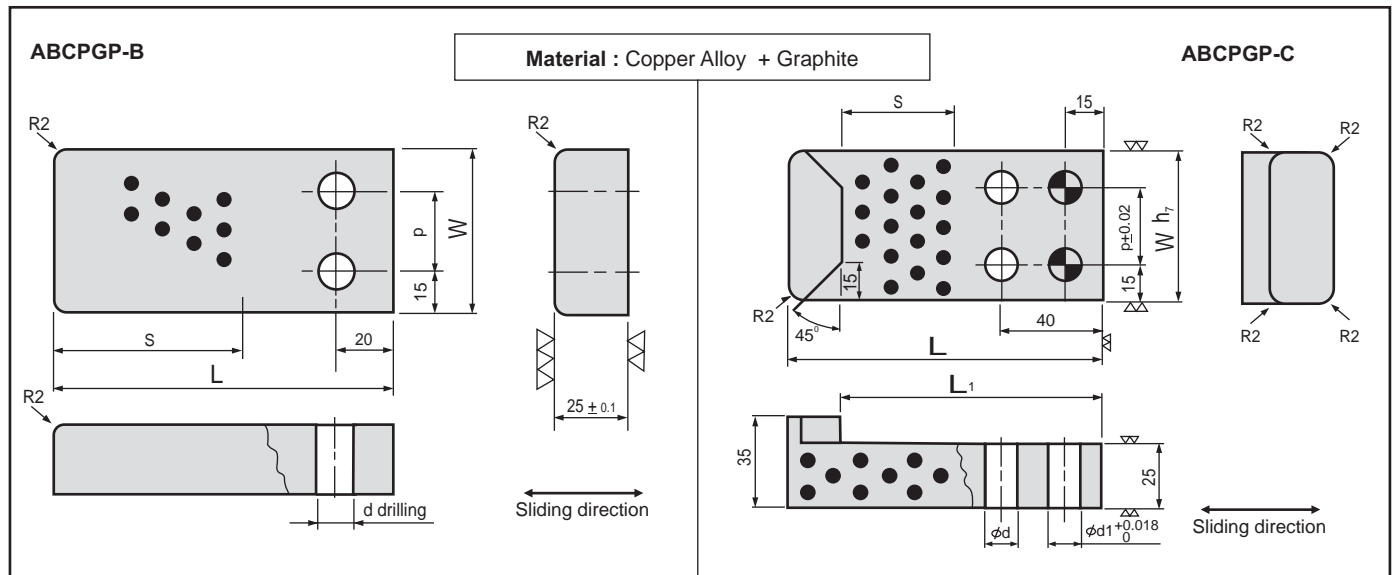


Standard No.	Wh7	L	T	l1	l2	t	s1	s2	p	a	n	ϕd			
ABCPGP- 30X 70	30	0	70	17	10	12	30	40	—	20	1	11			
ABCPGP- 30X 90		-0.021	90										70		
ABCPGP- 60X120	60	0	120	35	20	25	40	60	30	40	2	13			
ABCPGP- 60X140			140										100	60	80
ABCPGP- 60X160			-0.030										160	120	80
ABCPGP- 100X120	100	0	120	35	20	25	40	60	70	40	2	18			
ABCPGP- 100X140			140										100	60	80
ABCPGP- 100X160			-0.035										160	120	80
ABCPGP- 150X120	150	0	120	35	20	25	40	60	60	40	3	18			
ABCPGP- 150X140			140										100	60	80
ABCPGP- 150X160			-0.040										160	120	80
ABCPGP- 150X180			180				100	120							

ORDERING CODE	CATALOG NO.	W	L
	ABCPGP	30	90



Oilless Cam Pad Guide Plate



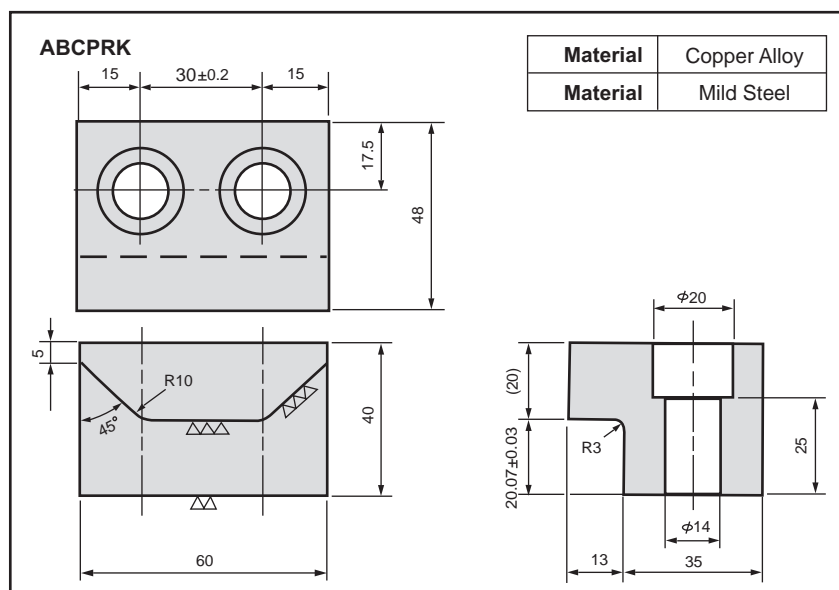
Standard No.	W	L	s	p	φ d
ABCPGP-B- 60X 80	60	80	40	30	13
ABCPGP-B- 60X100		100	60		
ABCPGP-B- 60X120		120	80		
ABCPGP-B- 100X 80	100	80	40	70	18
ABCPGP-B- 100X100		100	60		
ABCPGP-B- 100X120		120	80		
ABCPGP-B- 150X 80	150	80	40	120	18
ABCPGP-B- 150X100		100	60		
ABCPGP-B- 150X120		120	80		

Standard No.	Wh7	L	L1	s	p	φ d	φ d1
ABCPGP-C- 60X120	60	120	100	40	30	13	13
ABCPGP-C- 60X140		140	120	60			
ABCPGP-C- 60X160		160	140	80			
ABCPGP-C- 100X120	100	120	100	40	70	18	18
ABCPGP-C- 100X140		140	120	60			
ABCPGP-C- 100X160		160	140	80			
ABCPGP-C- 150X120	150	120	100	40	120	18	18
ABCPGP-C- 150X140		140	120	60			
ABCPGP-C- 150X160		160	140	80			

ORDERING CODE **CATALOG NO.** **W** **L**
 ABCPGP-B 60 100

ORDERING CODE **CATALOG NO.** **W** **L**
 ABCPGP-C 60 120

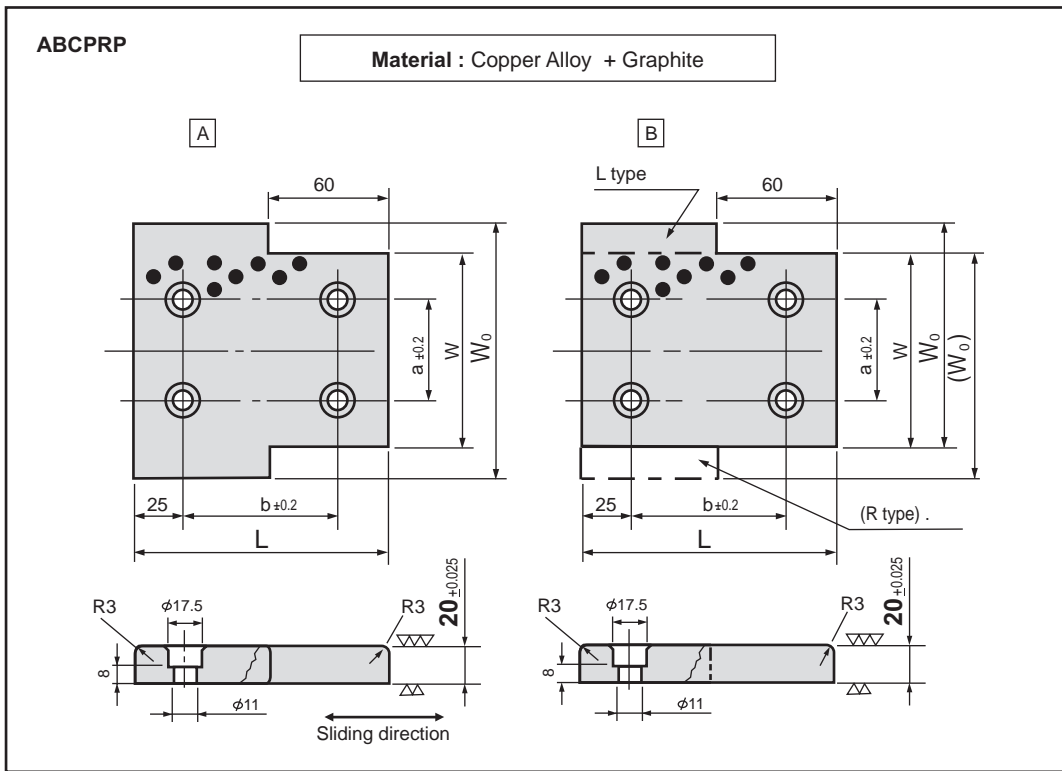
Cam positive return piece



Standard No.	Material
ABCPRK -40-W	Copper Alloy
ABCPRK -40-S	Mild Steel

ORDERING CODE **CATALOG NO.**
 ABCPRK-40-W

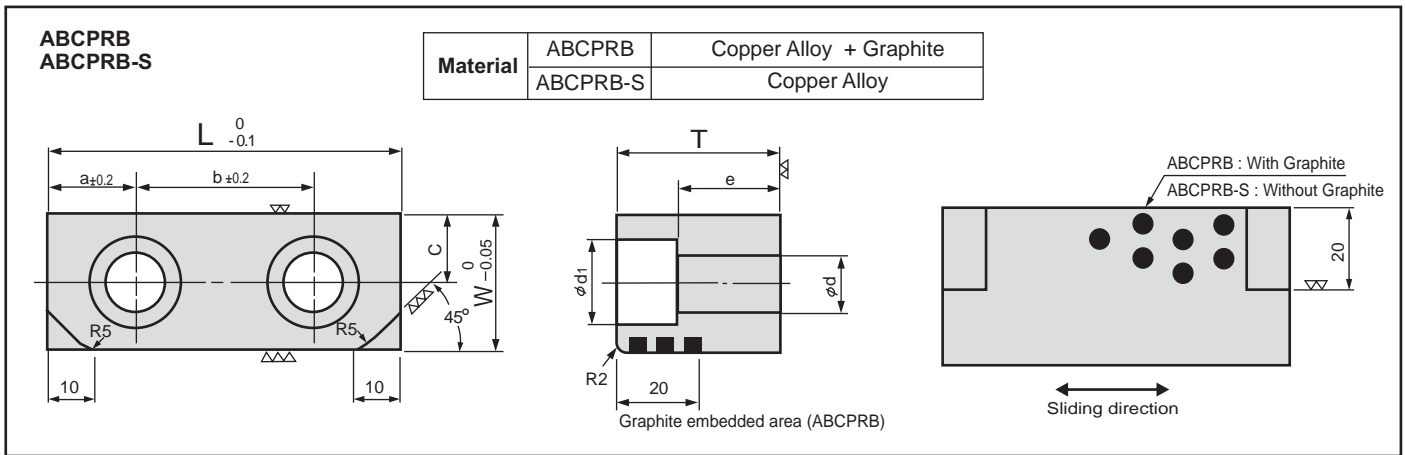
Oilless Cam Positive Return Plate



Standard No.	W	L	W ₀	a	b	Sketch
ABCPRP-100X125	100	125	130	50	75	A
ABCPRP-100X150		150			100	
ABCPRP-125X150	125	150	155	75	100	
ABCPRP-125X200		200			150	
ABCPRP-125X250		250			200	
ABCPRP-150X200	150	200	180	100	150	
ABCPRP-150X250		250			200	
ABCPRP-L(R)-100X125	100	125	115	50	75	B
ABCPRP-L(R)-100X150		150			100	
ABCPRP-L(R)-125X150	125	150	140	75	100	
ABCPRP-L(R)-125X200		200			150	
ABCPRP-L(R)-125X250		250			200	
ABCPRP-L(R)-150X200	150	200	165	100	150	
ABCPRP-L(R)-150X250		250			200	

ORDERING CODE	CATALOG NO.	W	L
	ABCPRP	100	150
	ABCPRP-L	100	150
	ABCPRP-R	100	150

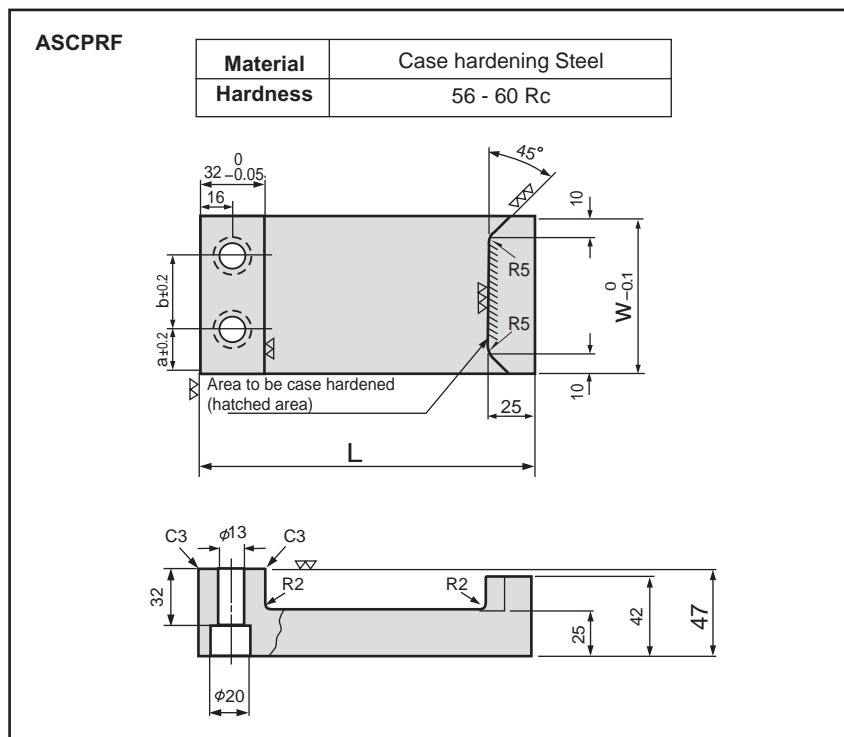
Oilless Cam Positive Return Block



Standard No.	W	L	T	a	b	c	ϕd	ϕd_1	e
ABCPRB-25X60	25	60	30	15	30	11	11	17.5	18
ABCPRB-32X60	32	80	38	20	40	16	13	20	23
ABCPRB-32X80									
ABCPRB-25X60-S	25	60	30	15	30	11	11	17.5	18
ABCPRB-32X60-S	32	80	38	20	40	16	13	20	23
ABCPRB-32X80-S									

ORDERING CODE	CATALOG NO.	W	L
	ABCPRB	32	60

Cam positive return follower



Standard No.	W	L	a	b
ASCPRF- 60X171	60	171	15	30
ASCPRF- 60X191		191		
ASCPRF- 80X171	80	171	20	40
ASCPRF- 80X191		191		

ORDERING CODE	CATALOG NO.	W	L
	ASCPRF	60	171

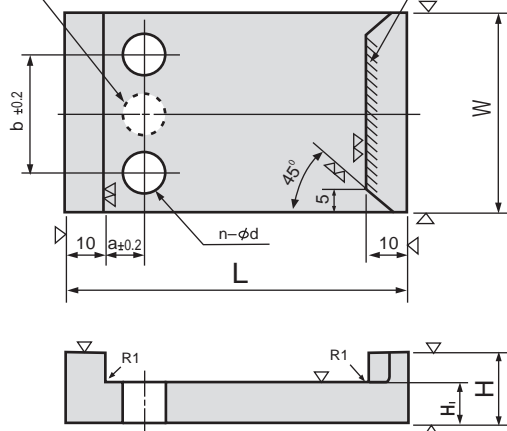
Cam Positive Return Follower

Material	Case hardening Steel
Hardness	56 - 60 Rc

ASCPRF-E

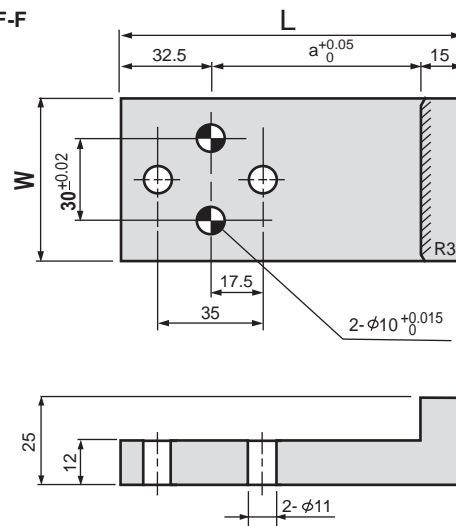
Only for W=30

Area to be case hardened (hatched area)



Material	Case hardening Steel
Hardness	56 - 60 Rc

ASCPRF-F



Standard No.	W	L	H	H1	a	b	φd	n
ASCPRF-E-30X 55	30	55	16	8	7.5	—	10	1
ASCPRF-E-30X 75		75						
ASCPRF-E-50X 65	50	65	18	10	10	30	12	2
ASCPRF-E-50X 85		85						
ASCPRF-E-50X105		105						
ASCPRF-E-80X 65	80	65	18	10	10	50	12	2
ASCPRF-E-80X 85		85						
ASCPRF-E-80X105		105						

Standard No.	W	L	a
ASCPRF-F- 60X100	60	100	52.5
ASCPRF-F- 60X120		120	72.5

ORDERING CODE	CATALOG NO.	W	L
ASCPRF-E	50	105	

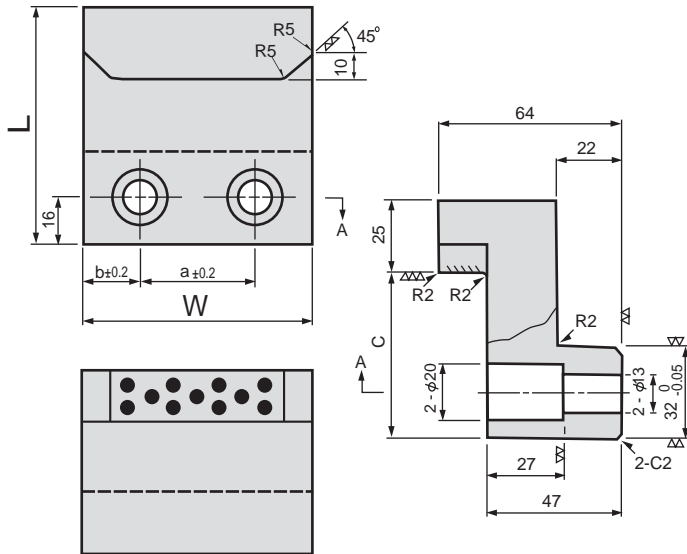
ORDERING CODE	CATALOG NO.	W	L
ASCPRF-F	60	100	

Oilless Cam Positive Return Plate/Follower

ACKPZ

Cam positive return plate

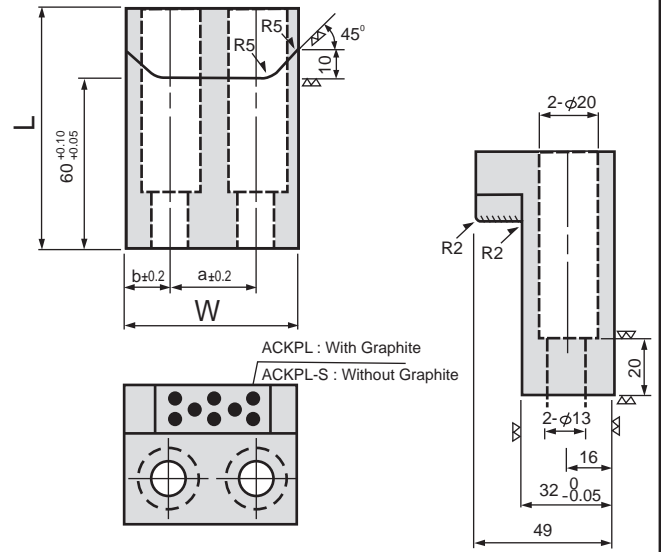
Material : Copper Alloy + Graphite



ACKPL ACKPL-S

Cam positive return follower

Material	ACKPL	Copper Alloy + Graphite
	ACKPL-S	Case hardening steel (56 - 60 Rc)



Standard No.	W	L	a	b	c
ACKPZ- 60X 82	60	82	30	15	57
ACKPZ- 60X102		102			77
ACKPZ- 60X112		112			87
ACKPZ- 80X 82	80	82	40	20	57
ACKPZ- 80X102		102			77
ACKPZ- 80X112		112			87

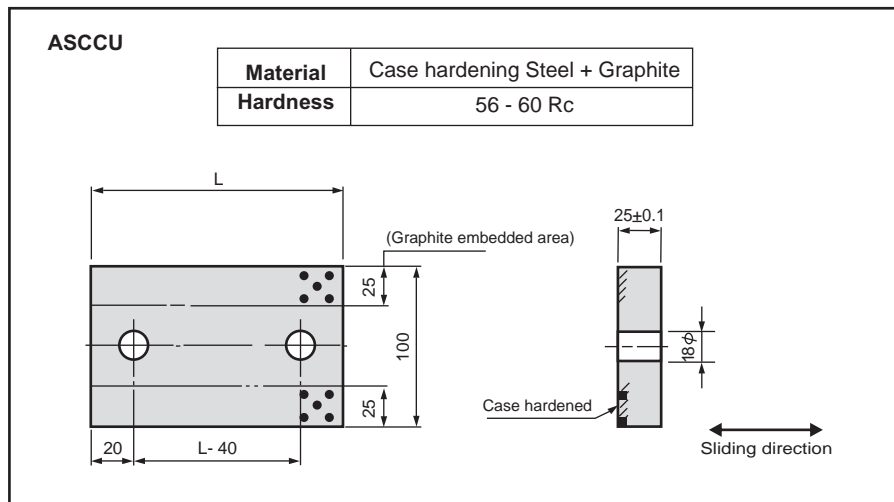
Standard No.	W	L	a	b
ACKPL- 60X85	60	85	30	15
ACKPL- 80X85	80		40	20
ACKPL- 60X85-S	60	85	30	15
ACKPL- 80X85-S	80		40	20

ORDERING CODE	CATLOG NO.	W	L
ACKPZ	60	82	

ORDERING CODE	CATLOG NO.	W	L
ACKPL-S	60	85	

Oilless Arial Cam Center Upper

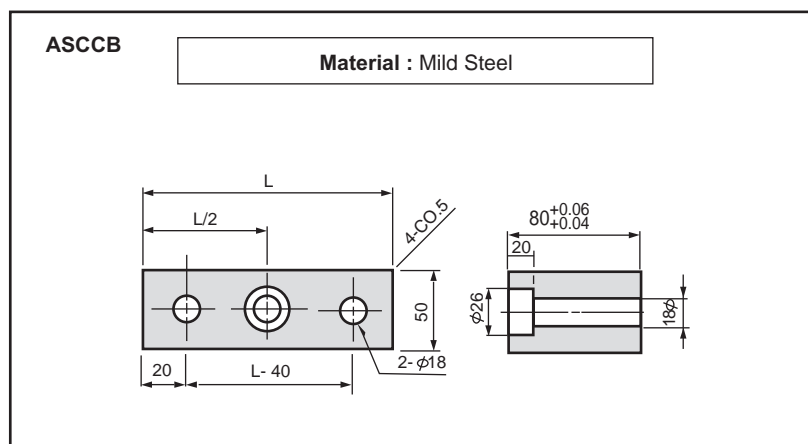
Case hardened steel is used as the base metal. This slide is embedded with special solid lubricants and is excellent in wear resistance. Use this plate together with ASCCB.



Standard No.	L
ASCCU-100	100
ASCCU-150	150

ORDERING CODE	CATALOG NO.	L
ASCCU	100	

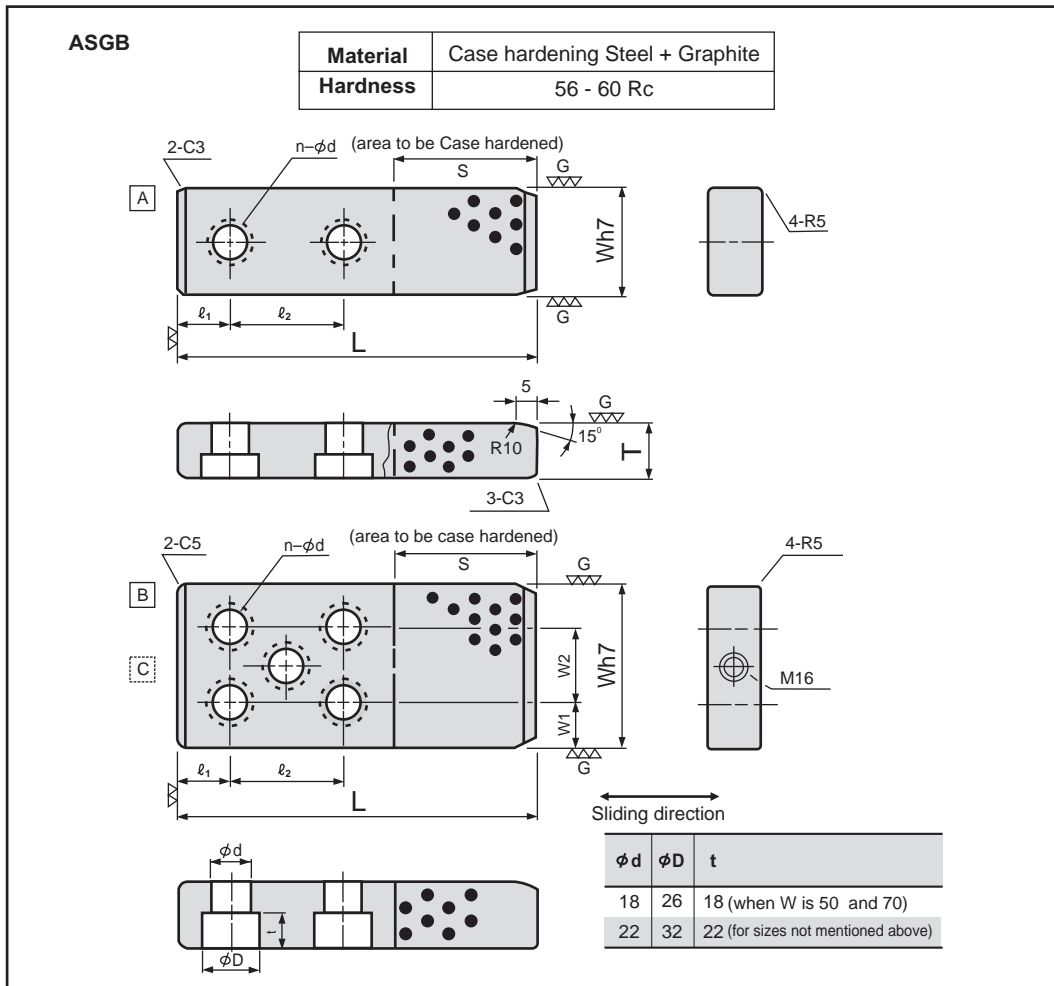
Arial cam center block



Standard No.	L
ASCCB-100	100
ASCCB-150	150

ORDERING CODE	CATALOG NO.	L
ASCCB	100	

Oilless Guide Bar



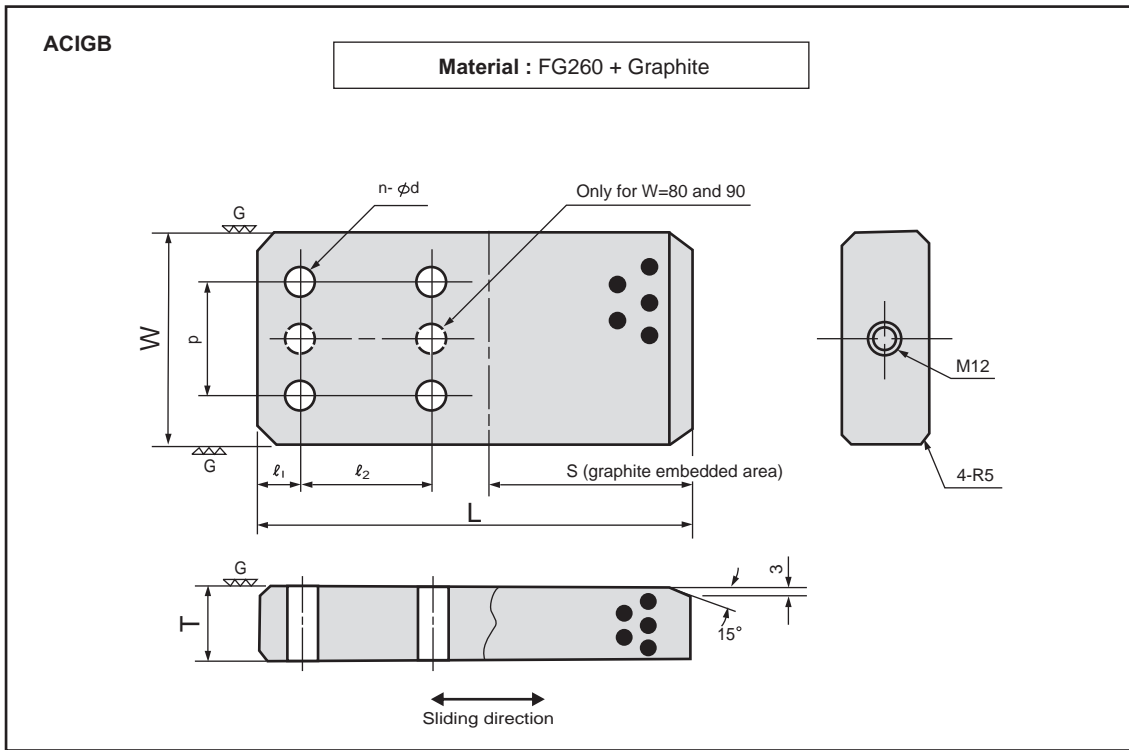
Standard No.	Wh7	L	T	S	ℓ_1	ℓ_2	w1	w2	Sketch	n
ASGB- 50X160	50 $\begin{smallmatrix} 0 \\ -0.025 \end{smallmatrix}$	160	30	60	20	50	—	—	A	2
ASGB- 50X200		200		120						
ASGB- 50X260		260		80						
ASGB- 70X230	70 $\begin{smallmatrix} 0 \\ -0.030 \end{smallmatrix}$	230	35	100	25	60	—	—	A	2
ASGB- 70X260		260		160						
ASGB- 70X300		300		75						
ASGB- 70X350		350		150						
ASGB- 100X230	100 $\begin{smallmatrix} 0 \\ -0.035 \end{smallmatrix}$	230	45	100	30	60	20	60	B	5
ASGB- 100X280		280		160						
ASGB- 100X330		330		100						
ASGB- 100X390		390		200						
ASGB- 120X230		230		100						
ASGB- 120X280	120	280	50	160	30	60	90	C	5	
ASGB- 120X330		330		100						
ASGB- 120X390		390		200						
ASGB- 150X280	150 $\begin{smallmatrix} 0 \\ -0.040 \end{smallmatrix}$	280	55	160	30	60	30	120	C	5
ASGB- 150X330		330		80						
ASGB- 150X390		390		140						
ASGB- 150X430		430		180						
ASGB- 180X280		280		80						
ASGB- 180X330	180	330	55	190	30	60	120	C	5	
ASGB- 180X390		390		140						
ASGB- 180X430		430		180						
ASGB- 180X480		480		200						
ASGB-180X550		550		250		225				

ORDERING CODE	CATALOG NO.	W	L
ASGB	150	280	



Oilless Guide Bar

Cast iron is used as the base metal with special lubricants embedded. This guide bar is used for the guide of upper and lower dies. The standard bar is designed to allow 10 mm difference in width for fool proofing.

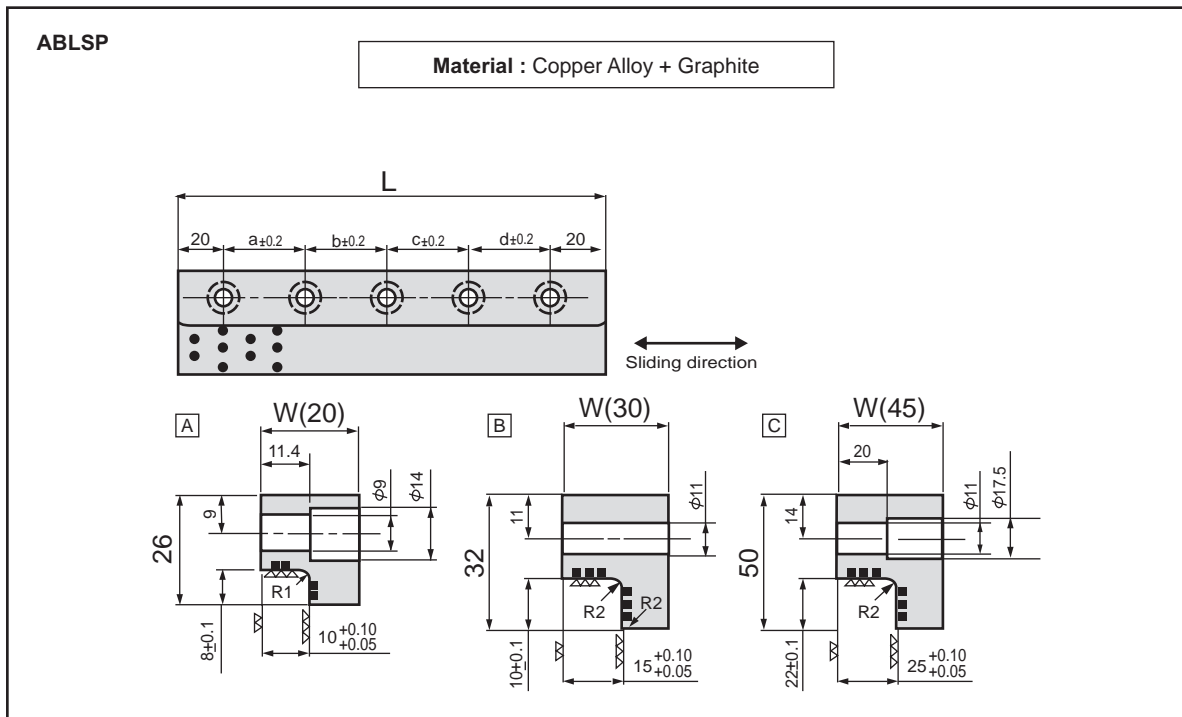


Standard No.	W Tolerance	L	T	S	ℓ_1	ℓ_2	p	n	ϕd
ACIGB- 80X220	80	220	40	80	25	60	—	2	22
ACIGB- 80X260		260				70			
ACIGB- 80X300		300				80			
ACIGB- 120X280	120	280	60	120	30	70	70	4	26
ACIGB- 120X340		340				100			
ACIGB- 120X380		380							
ACIGB- 150X340	150	340	75	130	30	110	100	4	26
ACIGB- 150X380		380				120			
ACIGB- 150X430		430							
ACIGB- 180X340	180	340	90	140	30	130	120	4	26
ACIGB- 180X380		380							
ACIGB- 180X430		430							
ACIGB- 90X220	90	220	40	80	25	60	—	2	22
ACIGB- 90X260		260				70			
ACIGB- 90X300		300				80			
ACIGB- 130X280	130	280	60	120	30	70	70	4	26
ACIGB- 130X340		340				100			
ACIGB- 130X380		380							
ACIGB- 160X340	160	340	75	130	30	110	100	4	26
ACIGB- 160X380		380				120			
ACIGB- 160X430		430							
ACIGB- 190X340	190	340	90	140	30	130	120	4	26
ACIGB- 190X380		380							
ACIGB- 190X430		430							

ORDERING
CODE

CATALOG NO. W L
ACIGB 150 340

Oilless L Shaped Plate



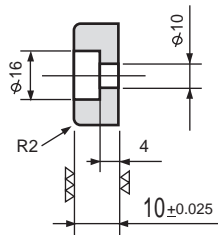
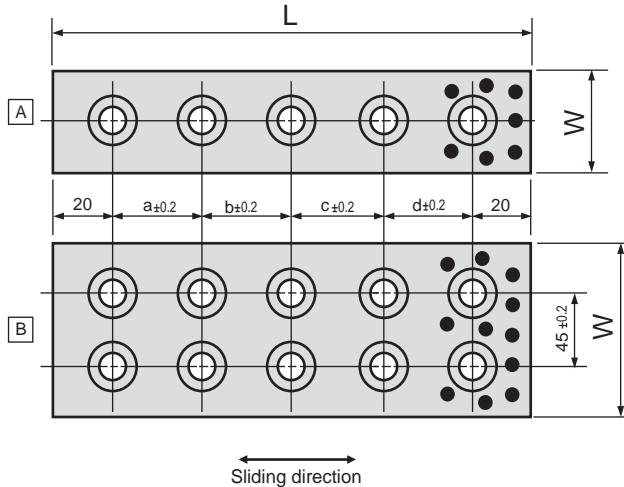
Standard No.	W	L	Bolt location				Bolt		Sketch
			a	b	c	d	Type	Q'ty	
ABLSP- 20X100	20	100	60	—	—	—	M 8	2	A
ABLSP- 20X150		150	55	55	—	—		3	
ABLSP- 20X200		200	55	50	55	—		4	
ABLSP- 30X100	30	100	60	—	—	—	M 10	2	B
ABLSP- 30X150		150	55	55	—	—		3	
ABLSP- 30X200		200	55	50	55	—		4	
ABLSP- 30X250		250	70	70	70	—		4	
ABLSP- 45X200	45	200	55	50	55	—	M 10	4	C
ABLSP- 45X250		250	70	70	70	—		4	
ABLSP- 45X300		300	65	65	65	65		5	
ABLSP- 45X350		350	80	75	75	80		5	

ORDERING CODE	CATALOG NO.	W	L
ABLSP	30	150	

Oilless Slide Plate / Mini Plate

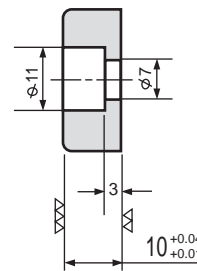
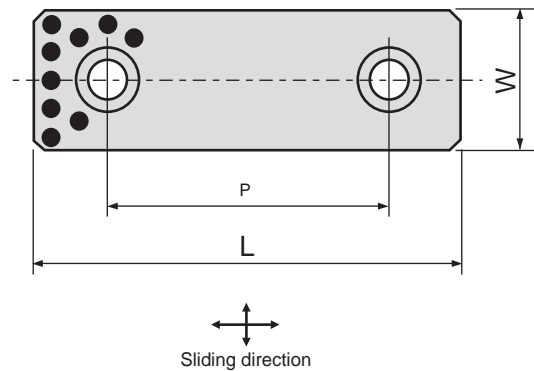
Material : Copper Alloy + Graphite

Slide Plate
ABSP



Fixing bolt : M8 flat head screw

Mini Plate
ABMP



Fixing bolt : M6 hex socket bolt

Standard No.	W	L	Bolt location				Bolt		Sketch	
			a	b	c	d	Type	Q'ty		
ABSP- 35X100	35	100	60	—	—	—	M 8	2	A	
ABSP- 35X150		150	55	55	—	—		3		
ABSP- 35X200		200	55	50	55	—		4		
ABSP- 35X250		250	70	70	70	—		4		
ABSP- 35X300		300	65	65	65	65		5		
ABSP- 35X350		350	80	75	75	80		5		
ABSP- 50X100	50	100	60	—	—	—		2		B
ABSP- 50X150		150	55	55	—	—		3		
ABSP- 50X200		200	55	50	55	—		4		
ABSP- 50X250		250	70	70	70	—		4		
ABSP- 50X300		300	65	65	65	65	5			
ABSP- 50X350		350	80	75	75	80	5			
ABSP- 75X150	75	150	110	—	—	—	4	B		
ABSP- 75X200		200	80	80	—	—	6			
ABSP- 75X250		250	105	105	—	—	6			
ABSP- 75X300		300	85	90	85	—	8			
ABSP- 75X400		400	120	120	120	—	8			
ABSP- 75X500		500	115	115	115	115	10			

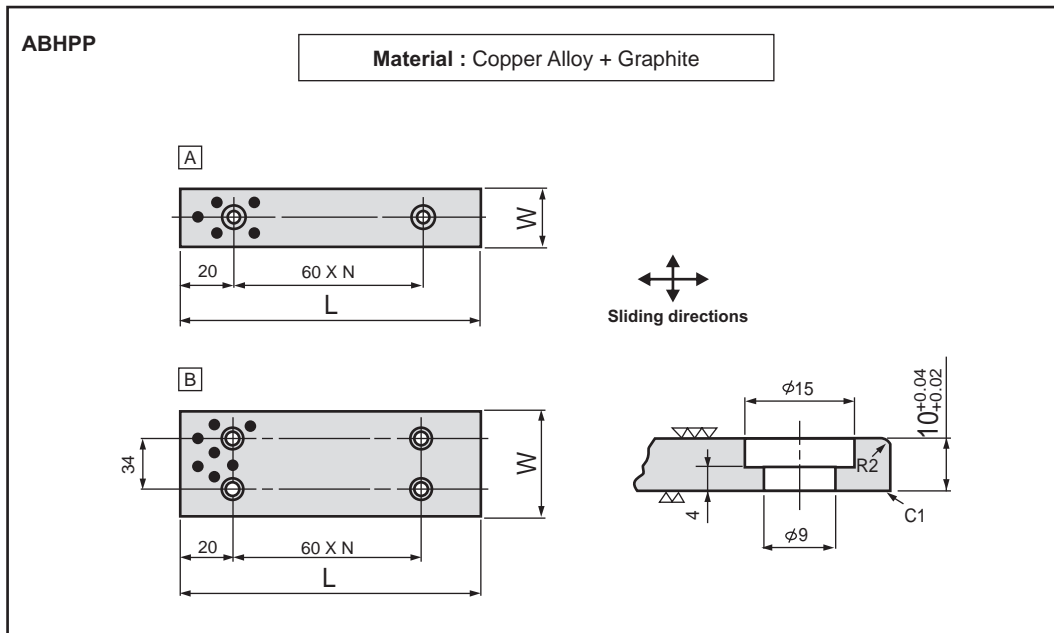
Standard No.	W	L	P
ABMP- 18X75	18	75	45
ABMP- 18X100		100	50
ABMP- 18X125		125	75
ABMP- 18X150		150	100
ABMP- 28X75	28	75	45
ABMP- 28X100		100	50
ABMP- 28X125		125	75
ABMP- 28X150		150	100
ABMP- 38X75	38	75	45
ABMP- 38X100		100	50
ABMP- 38X125		125	75
ABMP- 38X150		150	100
ABMP- 48X75	48	75	45
ABMP- 48X100		100	50
ABMP- 48X125		125	75
ABMP- 48X150		150	100

ORDERING CODE CATLOG NO. W L
ABSP 50 200

ORDERING CODE CATLOG NO. W L
ABMP 28 100



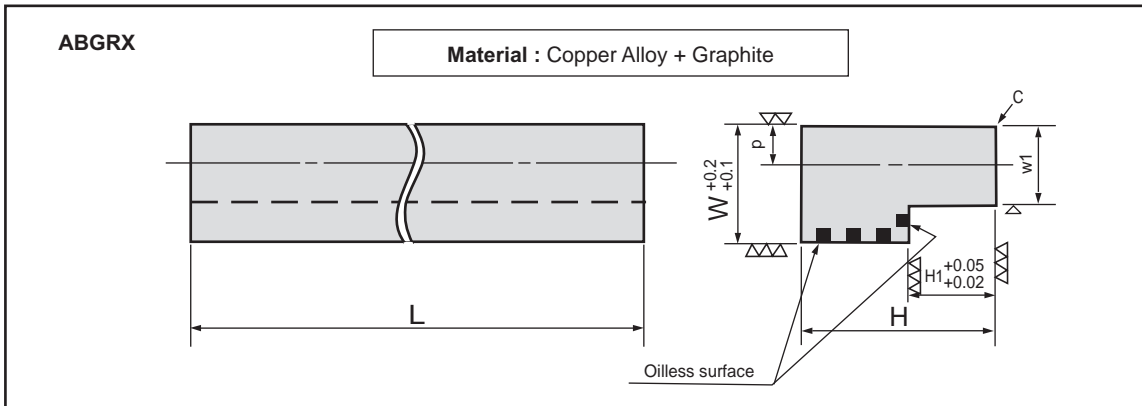
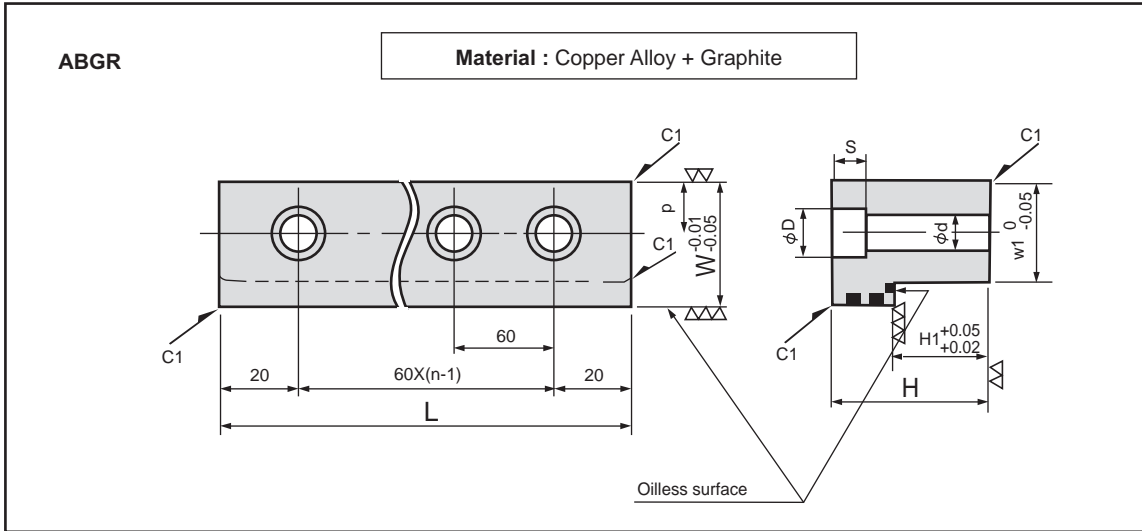
Oilless High Pressure Plate



Standard No.	W	L	N	No. of holes	Sketch		
ABHPP- 18X100	18	100	1	2	A		
ABHPP- 18X160		160	2	3			
ABHPP- 18X220		220	3	4			
ABHPP- 28X100	28	100	1	2			
ABHPP- 28X160		160	2	3			
ABHPP- 28X220		220	3	4			
ABHPP- 38X100	38	100	1	2		B	
ABHPP- 38X160		160	2	3			
ABHPP- 38X220		220	3	4			
ABHPP- 48X100	48	100	1	2	B		
ABHPP- 48X160		160	2	3			
ABHPP- 48X220		220	3	4			
ABHPP- 58X100	58	100	1	4			B
ABHPP- 58X160		160	2	6			
ABHPP- 58X220		220	3	8			
ABHPP- 68X100	68	100	1	4		B	
ABHPP- 68X160		160	2	6			
ABHPP- 68X220		220	3	8			

ORDERING CODE	CATALOG NO.	W	L
ABHPP	48	100	

Oilless Guide Rail



Standard No.	W	W1	L	H	H1	n	P	ϕD	ϕd	S
ABGR -100X30	23	15	100	30	15	2	7.5	11	7	7
ABGR -160X30			160			3				
ABGR -220X30			220			4				
ABGR -100X41			100	41	26	2				
ABGR -160X41	160	3								
ABGR -220X41	220	4								
ABGR -100X25	28	20	100	25	10	2	10	18	11	13
ABGR -160X25			160			3				
ABGR -220X25			220			4				
ABGR -100X35			100	35	15	2				
ABGR -160X35	160	3								
ABGR -220X35	220	4								
ABGR -100X56	28	20	100	56	26	2	10	14	9	10
ABGR -160X56			160			3				
ABGR -220X56			220			4				

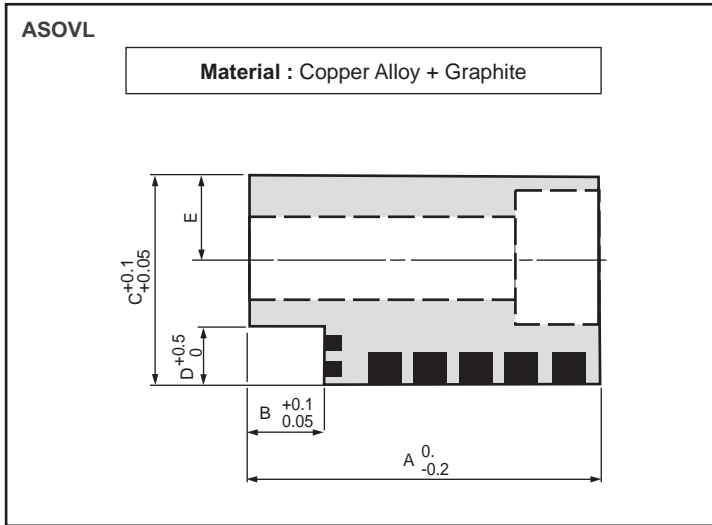
Standard No.	W	W1	H	H1	L	Recommended Bolt		
						P	Size	
ABGRX -20X15	20	14.5	15	5	320	8	M8	
ABGRX -20X20			20					
ABGRX -20X25			25					
ABGRX -20X23			23					
ABGRX -20X28	28	8	10					
ABGRX -25X28	28							
ABGRX -25X33	25	17.5	33	10		10		M8
ABGRX -25X43	43							
ABGRX -30X38	30	19	38	15				
ABGRX -30X43			43					
ABGRX -30X53			53					
ABGRX -35X43	35	23	43	15	12	M10		
ABGRX -35X53			53					
ABGRX -35X63			63					
ABGRX -40X45	40	28	45	20			14	M12
ABGRX -40X55			55					
ABGRX -40X65			65					

ORDERING CODE	CATALOG NO.	W	L
ABGR	28	100	

ORDERING CODE	CATALOG NO.	W	H
ABGRX	30	38	



Oilless Guide Rail For Plastic Molding

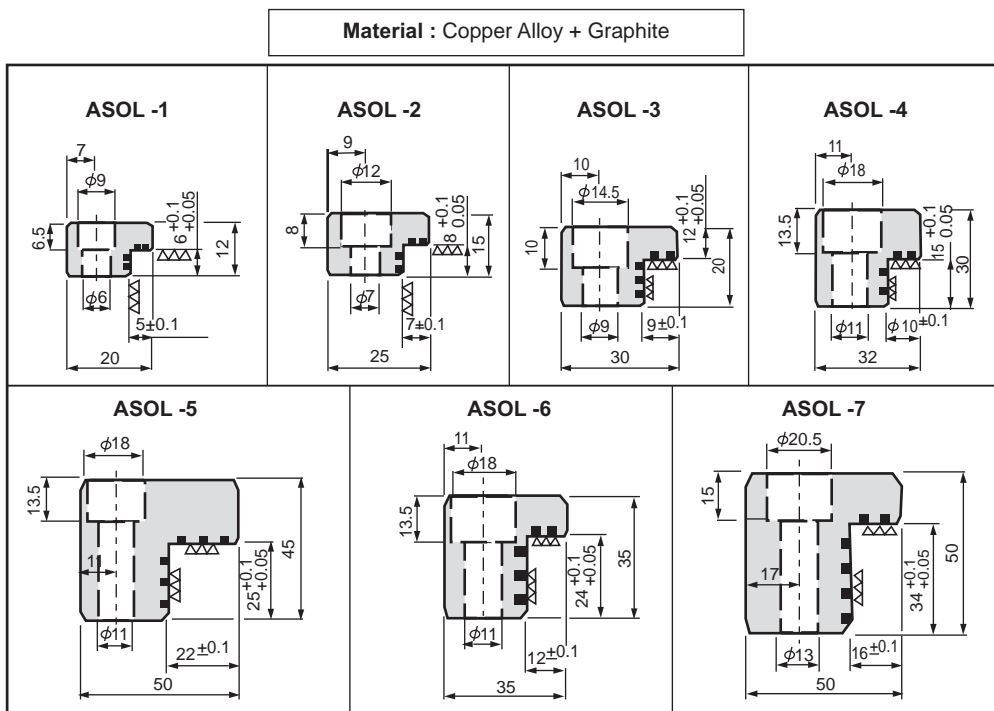


Example : ASOVL - 0 X 205 (L size) bolt holes are not machined.

Standard No.	A	B	C	D	E
ASOVL - 0X205	12	5	15	5	6
ASOVL - 1X205	17	7	20		7.5
ASOVL - 1X320					
ASOVL - 2X205	22				
ASOVL - 2X320	27				
ASOVL - 3X205	36	10	28	8	11
ASOVL - 3X320					
ASOVL - 4X205					
ASOVL - 4X320	46				
ASOVL - 5X205	66	22	40	12	14
ASOVL - 5X320					
ASOVL - 6X205					
ASOVL - 6X320	(56)				
ASOVL - 7X205	86	26			
ASOVL - 7X320	(76)				

ORDERING CODE	CATALOG NO.
	ASOVL-4x205

Oilless L-type liner plate



Example : ASOL - 1 X 305 (L size) bolt holes are not machined.

Standard No.
ASOL - 1X305
ASOL - 2X305
ASOL - 3X305
ASOL - 4X605
ASOL - 5X605
ASOL - 6X605
ASOL - 7X605

ORDERING CODE	CATALOG NO.
	ASOL - 5

Oil-Free Heel Guide Plates

ASHGP
ASHGPZ
(C'bore type)

M Case Hardening Steel
Graphite (embedded)
Slide parts (S)
H 55 - 58 HRC - (case hardening)

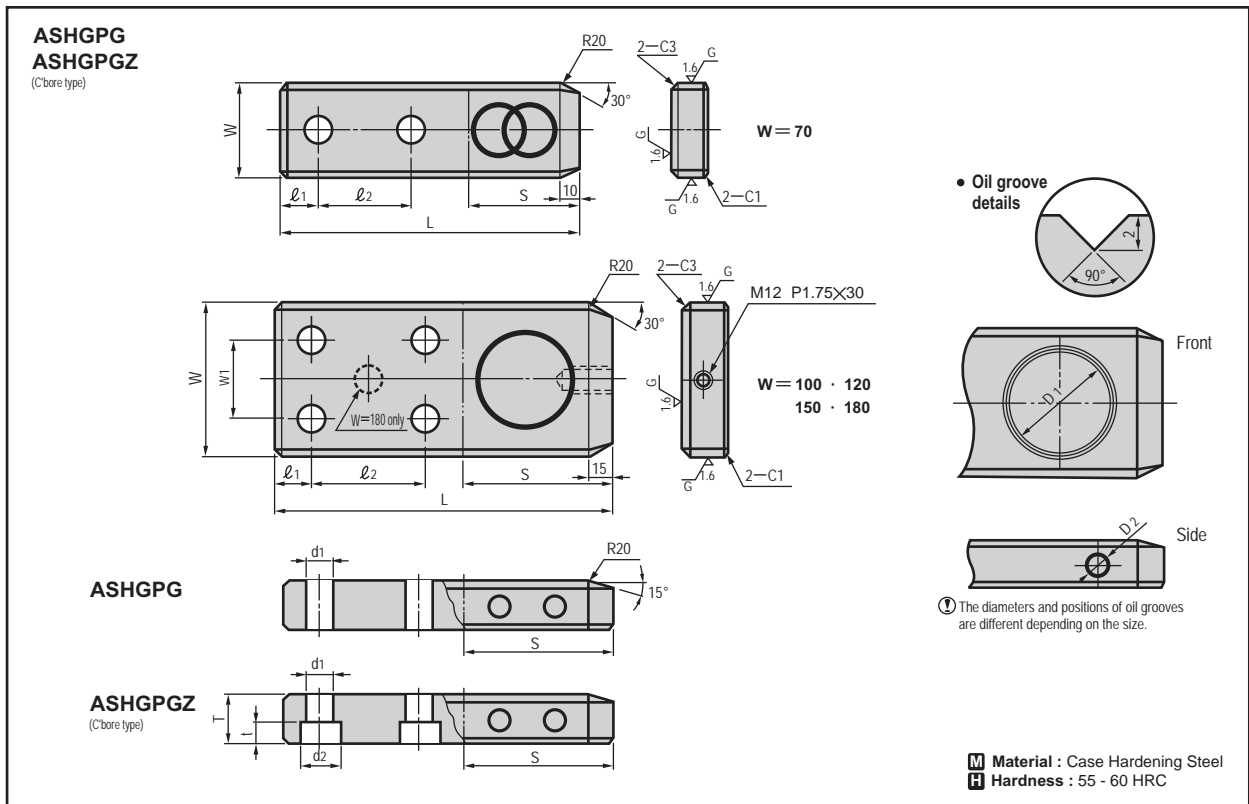
Note : Do initial greasing before use.

W	T	S	l ₁	l ₂	w ₁	d ₁	d ₂	t	Catalog No.				
									Type	W	L		
50	0 -0.025	30	60	50	—	18	26	18	ASHGP ASHGPZ	50	160		
				120							200		
				120							260		
70	0 -0.030	35	100	60	18	26	18	ASHGP ASHGPZ		70	230		
			160	260									
			160	300									
100	0 -0.035	45	100	60	18	26	18			ASHGP ASHGPZ	100	230	
			160	280									
			160	330									
120	0 -0.035	45	60	100	18	26	18				ASHGP ASHGPZ	120	230
				160									280
				160									330
150	0 -0.040	50	100	60	22	32	22		ASHGP ASHGPZ			150	280
			160	330									
			190	390									
180	0 -0.040	55	160	60	120	—	—	ASHGP ASHGPZ				180	280
			190	330									
			190	390									
			190	430									
			200	480									
250	550												

ORDERING CODE	CATALOG NO.	L
	ASHGP 120	280



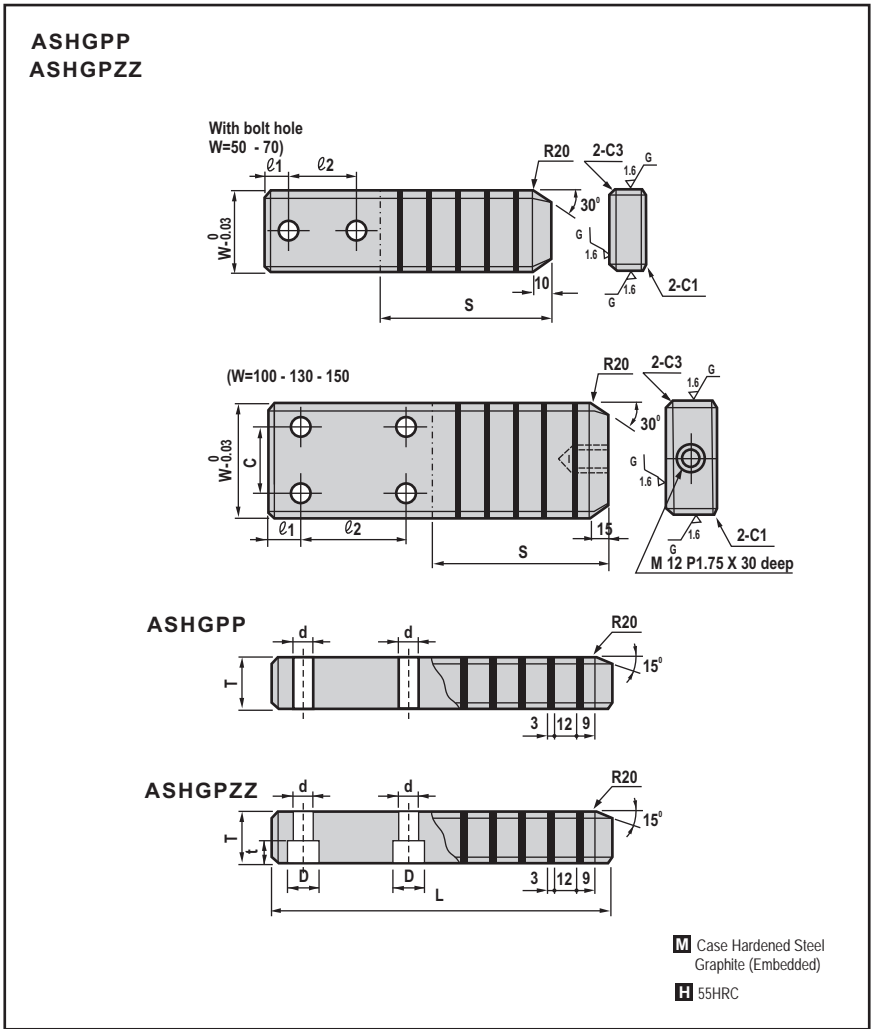
Heel Guide Plates With Oil Groove



W	T	S	l ₁	l ₂	w ₁	d ₁	ASHGPGZ			Oil groove				Catalog No.		L
							d ₂	t	Front		Side		Type	W		
									Q'ty	D ₁	Q'ty	D ₂				
70	0 -0.030	35	100	25	60	18	26	18	2	50	each2	20	ASHGPG ASHGPGZ	70	230	
			160		60				2	50	each3	20			260	
			160		75				2	50	each3	20			300	
100	0 -0.035	45	100	30	60	60	32	22	1	63	each2	20		100	230	
			160		60				2	63	each3	20			280	
			160		100				2	50	each2	20			330	
120	0 -0.035	45	100	30	60	90	32	22	2	50	each2	20		120	230	
			160		60				4	50	each3	20			280	
			160		100				4	50	each4	20			330	
150	0 -0.035	50	160	30	60	120	32	22	4	63	each3	20		150	280	
			190		80				5	50	each4	20			330	
			190		140				5	50	each4	20			390	
180	0 -0.040	55	160	30	60	120	32	22	5	50	each3	20	180	280		
			190		80				5	50	each4	20		330		
			190		140				5	50	each4	20		390		
			190		180										430	

ORDERING CODE	CATALOG NO.	L
	ASHGPGZ180	280

Oil-free Heel Guide Plates

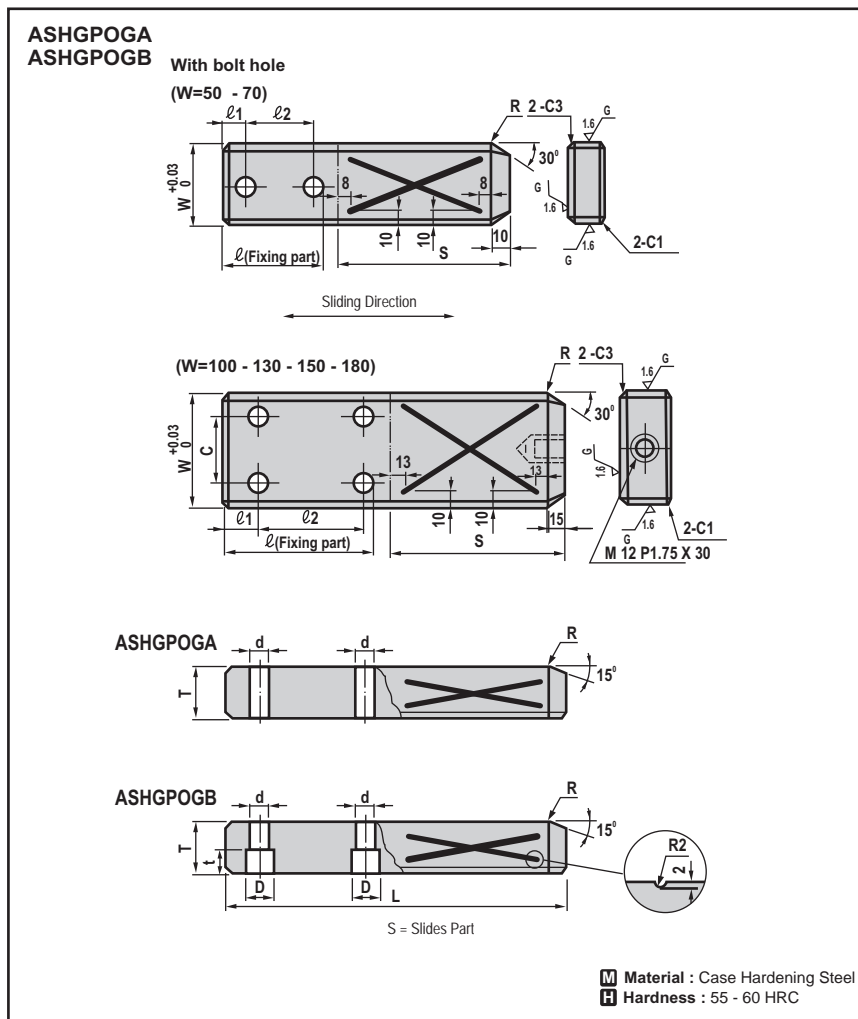


T	l1	l2	C	d	D	t	Grooves	S	Catalog No.		L
									Type	w	
30	20	50	—	18	26	18	3	60	ASHGPP ASHGPZZ	50	160
							5	90			190
							7	120			220
35	25	60	—	18	26	18	6	100		70	230
							9	140			270
							11	180			310
45	30	90	60	18	26	18	8	130		100	300
							11	180			350
							14	230			400
50	30	120	80	22	26	18	9	150		130	350
							12	200			400
							16	250			450
60	35	150	100	22	26	18	11	180		150	420
							14	230			470
							18	280			520

ORDERING CODE	CATALOG NO. L
	ASHGPZZ 130 350



Heel Guide Plates with Oil Groove



T	l	l ₁	l ₂	C	d	D	t	Catalog No.		S	L 10 mm increments
								Type	W		
30	90	20	50	—	18	26	18	ASHGPOGA	50	60	150 ~ 180
										90	190 ~ 250
35	110	25	60	—	18	26	18		70	90	200 ~ 250
										120	230 ~ 350
45	150	30	90	60	—	—	—		100	120	270 ~ 320
										180	330 ~ 400
50	150	30	90	80	—	—	—	130	150	300 ~ 380	
	180		120						390 ~ 500		
60	160	35	90	100	22	32	22	150	180	340 ~ 450	
	220		150						460 ~ 550		
	180		110						120	200	380 ~ 470

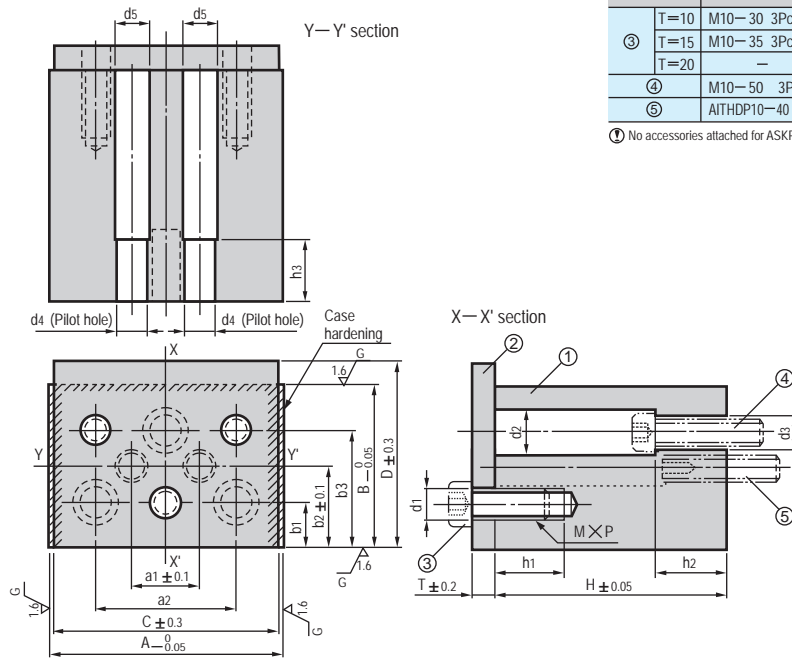
ORDERING CODE	CATALOG NO.	S	L
	ASHGPOGA 150	180	350

ASK

(Without Oilgroove)

ASKZ

(With Oilgroove)



A	ASK80 ASKZ80	ASK100 ASKZ100
③ T=10	M10-30 3Pc.	M12-35 3Pc.
T=15	M10-35 3Pc.	M12-40 3Pc.
T=20	-	M12-45 3Pc.
④	M10-50 3Pc.	M12-55 3Pc.
⑤	AITHDP10-40 2Pc.	AITHDP13 50 2Pc.

① No accessories attached for ASKP (plate only).

- ① M Case Hardened Steel
- H 40 - 45 HRC (Case Hardening)
- ② M EN8

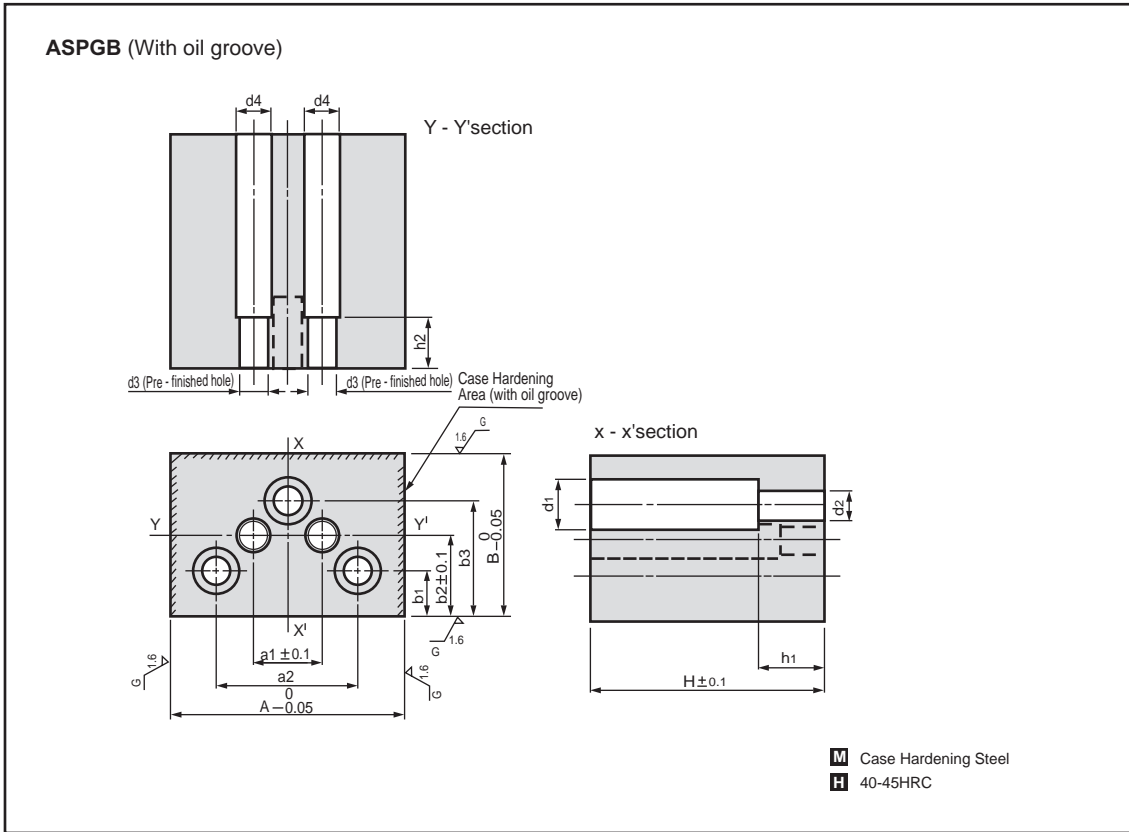
① Installation block														② Plate						
A	B	a1	a2	b1	b2	b3	d1	d2	d3	d4	h1	h2	h3	M x P	C	D	a2	b1	b3	d5
80	60	25	50	15	30	45	11	18	11	9.8	25	30	20	10 x 1.5	76	75	50	15	45	12
100	70	30	60	20	35	50	13	20	13	12.8	30	30	25	12 x 1.75	96	85	60	20	50	15

Catalog No.		H		T
Type	A			
ASK ASKZ (① ~ ⑤)	80	50	60	10
		70	80	15
		120		
	100	60		10
70		80	15	
120		20		

Catalog No.		T
Type	A	
ASKP (② Only)	80	10
		15
	100	10
		15
		20

ORDERING CODE	CATALOG NO.	H	T
	ASK100	60	10
	ASKP100		10

Pad Guide Block



A	B	a1	a2	b1	b2	b3	d1	d2	d3	d4	h1	h2	Catalog No.		
													Type	A	
80	60	25	50	15	30	45	18	11	9.8	12	30	20	ASPGB	80	50 60
															70 80 100
															120
100	70	30	60	20	35	50	20	13	12.8	15	30	25	100	60	
														70 80 100	
														120	

ORDERING CODE	CATALOG NO.	A	H
	ASPGB	80	60